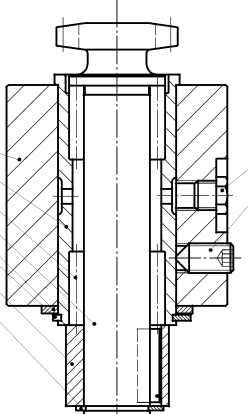
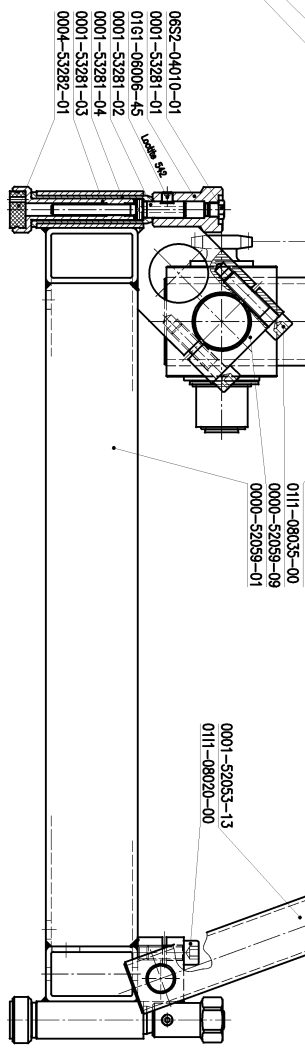


- 0000-52056-07
- 0001-52054-01
- 0165-08045-00
- 0111-08011-50
- 01M3-08000-80
- 06E1-10046-04
- 02M1-00808-20
- 0162-08016-00
- 06S2-04010-01

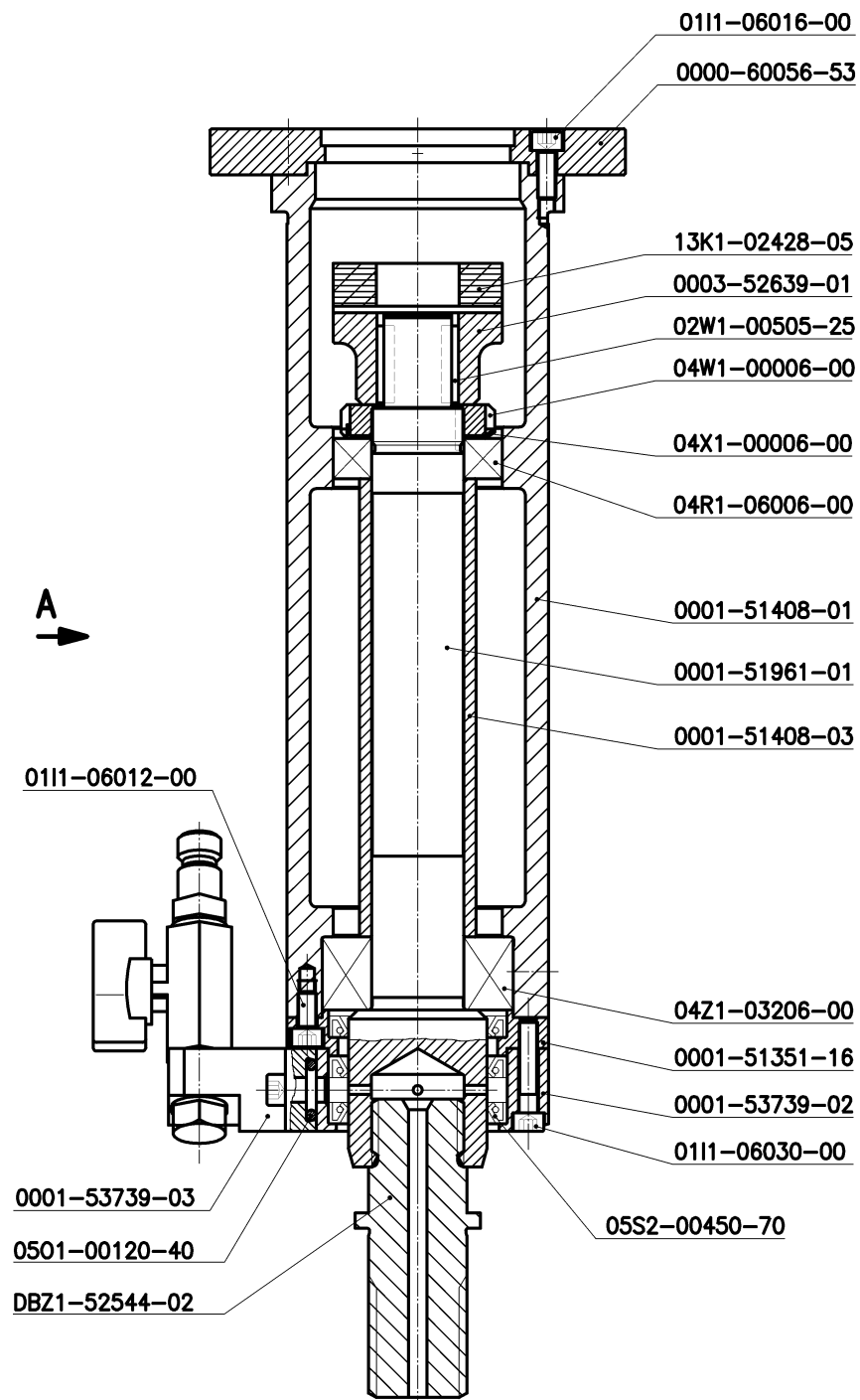
M 2:1



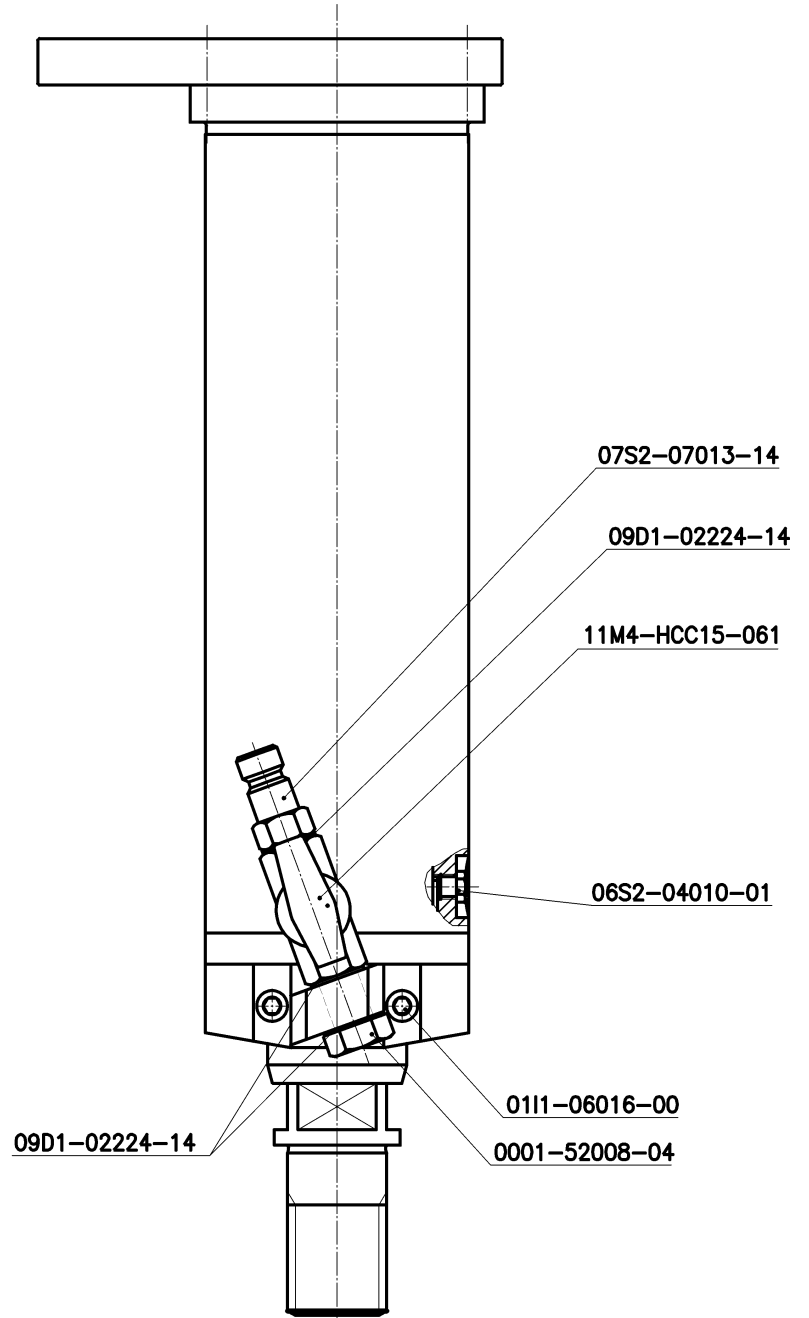
- 0001-52051-01
- 0001-52054-04
- 0402-01820-00
- 0001-52054-02
- 0002-52047-02
- 02S1-03215-50
- 0001-52054-05
- 02S1-01812-50



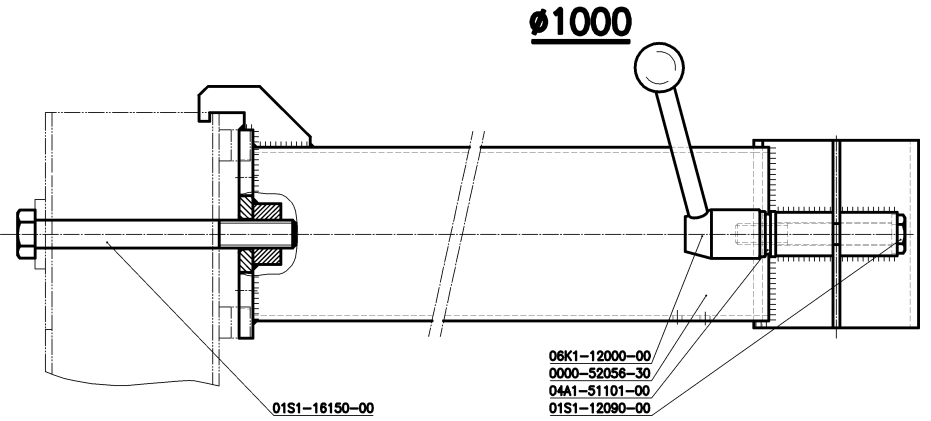
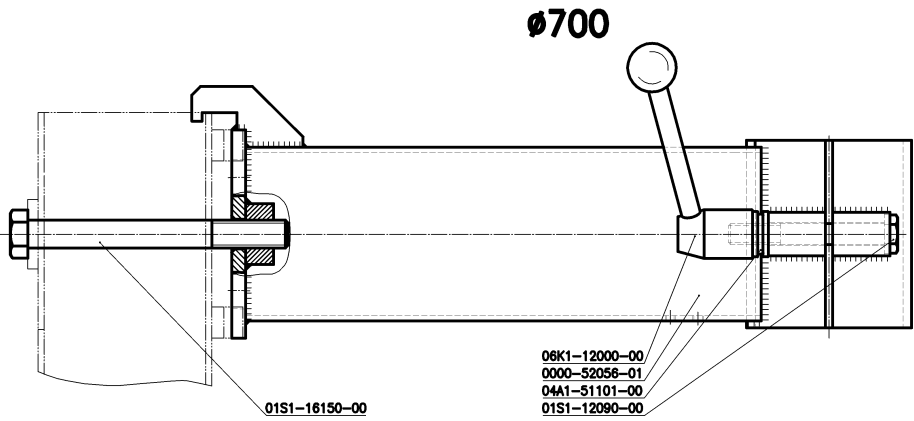
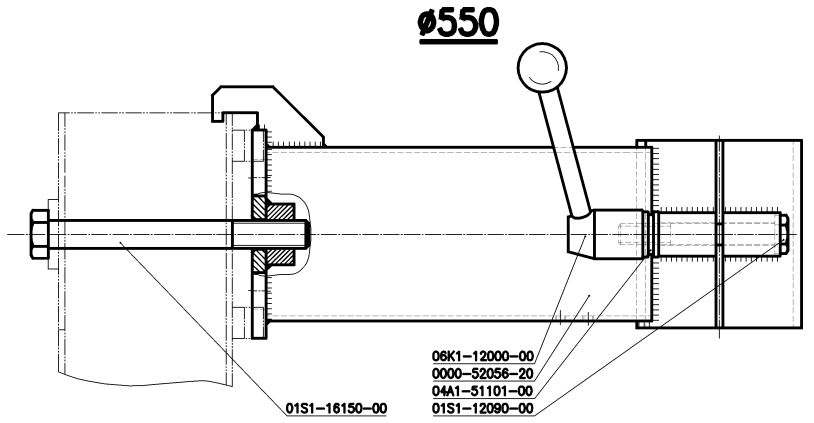
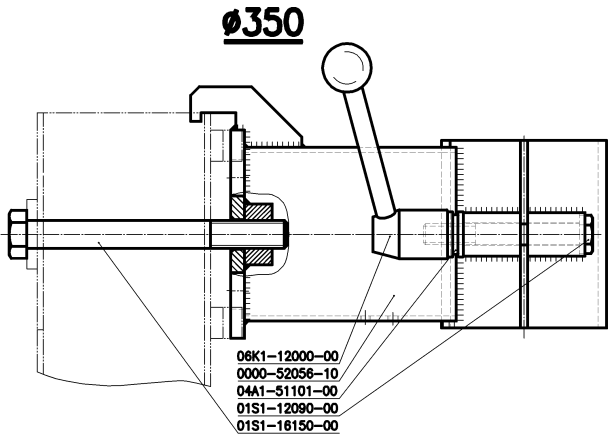
99MK-53355-00	974265	Bohrständer BC-2 kurz	drill rig BC-2 short	BATI FOREUSE BC-2 COURT C	SUPP. CAROTATRICE BC-2 CO	1
0000-52056-02	970032	Support BC lose	Slide BC loose	Support BC lose	SUPPORTO CARRELLO BC	1
0000-52056-07	970033	Bride zu Support BC	Clamp for Support BC	BRIDE POUR SUPPORT BC	BRIDA X BRONZINA BC	4
0000-52059-01	970247	Chassis BC	Chassis BC	Chassis BC	CHASSIS BC	1
0000-52059-09	970038	Bride zu BC-Chassis	Clamp for BC-chassis	Bride zu BC-Chassis	BRIDA BC	2
0001-52051-01	970456	FÜHRUNGSTRÄGER BC	Guide bearing BC	Führungsträger BC	SUPPORTO GUIDA BC 2	2
0001-52053-12	970463	Führungsstange kurz	Guide rod short	Führungsstange kurz	Führungsstange kurz	2
0001-52053-08	970460	Führungsstange lang	Guide rod long	Führungsstange lang	Führungsstange lang	2
0001-52053-13	970464	Stützstange kurz	supporting short	Contrefort courte	Stützstange kurz	2
0001-52053-04	970458	Stützstange lang	supporting rod long	Contrefort lang	Stützstange lang	2
0001-52054-01	970465	Führungsbüchse BC	Guide sleeve BC	BAGUE DE GUIDAGE BC	BRONZINA BC	4
0001-52054-02	970466	Kettenradwelle BC	Shaft for chain cog BC	ARBRE DE ROUE DENTEE BC	PERNO DENTATO BC	2
0001-52054-03	970467	Stützrohrklemme BC	support tube Clamp BC	Stützrohrklemme BC	BLOCCO FISSAGGIO TUBI BC	2
0001-52054-04	974562	Lagerbüchse BC	Bearing shell BC	BAGUE DE PALIER BC	BUSSOLA BRUNITA 68X32	2
0001-52054-05	974563	HALTERING BC	Retainer ring BC	BAGUE DE SERRAGE BC	BUSSOLA FRESATA B	1
0001-52054-06	970468	Kettenhalter BC	Chain Holder BC	ARRET CHAINE BC	FERMO CATENA	1
0001-52234-03	970520	DISTANZSCHEIBE BY		Rondelle de distance BY		1
0001-53281-01	970906	Griff Verstellfuss BC-2	Grip for adj. feet	VIS DE REGLAGE POUR PIED	DADO PIED. BC-2	4
0001-53281-02	970907	Gewindestindel BC-2	Threaded spindle BC-2	VIS REGLAGE FIN PIEDS BC	ASTA FILETTO BC-2	4
0001-53281-03	970908	Verstellfuss BC-2	Adjustable feet BC-2	SEMELLE PIEDS REGLAGE FIN	VITE FILETTATA PIED. BC/2	4
0001-53281-04	970909	Einpresshülse BC-2	Press-in sleeve BC-2	DOUILLE BC-Z	BOCCOLA PIEDINO BC	4
0002-52047-02	971211	Zentrierring BC/BY	Centering ring BC/BY	BAGUE DE CENTRAGE BY/BC	BUSSOLA BRUNITA 41X32X2	2
0002-54457-02	975924	HS-Typenschild klein	HS name plate small	HS-Petite plaque	HS-Typenschild klein	1
0004-53282-01	971596	Gummipuffer BC-2	Rubber buffer BC-2	TAMPON PLASTIQUE BC-2	GOMMA TEFLON PIED.HCCB -	4
01G1-06006-45	974827	Gewindestift M6x6	Allen screw	Goujon M6x6	GRANO M6X6 HCCB4/	4
01G2-08016-00	971643	Gewindestift M8x16	Threaded pin M8x16	Gewindestift M8x16	SPINA FILETTATA M8 X 16	2
01G5-06045-00	971652	Stiftschraube M6x45	Allen screw	VIS HC M6x45	ASTA FILETTATA M6X45 BC	8
01H1-08015-00	971663	Heli-Coil M8x1,25x12	Heli-Coil M8x1,25x12	Heli-Coil M8x1,25x12	Heli-Coil M8x1,25x12	8
0111-08020-00	979283	Inbus-Schraube M 8 x 20	Allen screw M8 x 20	Vis CHC M 8 x 20	VITE M 8 x 20	4
0111-08030-00	971738	Inbus-Schraube M 8x 30	Allen screw	Inbus-Schraube M 8x 30	VITE BRUGOLA M 8 X 30	8
0111-08035-00	971740	Inbus-Schraube M 8x 35	Socket screw M 8x 35	Vis CHC M8x35	VITE BRUGOLA M8X35 BC/BY	4
0111-08050-00	971745	Inbus-Schraube M 8 x 50	Socket screw M 8x 50	Vis CHC M8x50	VITE BRUGOLA M8X50	8
01M3-06000-60	979308	Stop-Mutter M6 nied.Form	stop-nut M6 thin head	Ecrou Nylstop M6	DADO M6 AUTOBLOCCANTE	8
01U1-06011-50	971955	U-Scheibe M6	Washer	U-Scheibe M6	RONDELLA M6	8
02L2-00040-08	971986	Kerbnagel 4x8	Wedge nail 4x8	Rivet 4x8	VITE M4x8 X LIVELLA	4
02S1-01812-50	971994	Seegering Welle Dm 18	Circlip arbor	CIRCLIP D'ARBRE DM 18	SEEGER DM 18	1
02S1-03215-50	971999	Seegering Welle Dm 32	Circlip V for shaft	CIRCLIP D'ARBRE DM 32	SEEGER DM 32	2
02W1-00606-20	972025	Wellenkeil 6x6x20	Shaft key 6x6x20	Clavette d'arbre 6x6x20	CHIAVELLA 6X6X20	2
04O2-01820-00	972128	Nadellager NK 18/20	Needle bearing NK 18/20	ROUL. AIGUILLE NK 18/20 B	CUSCINETTO RULL.18/20A B	4
06E1-10046-04	972370	Kette BC 1/2 L=1719mm	chain BC 1/2 L=1719mm	Kette BC 1/2 L=1719mm	Kette BC 1/2 L=1719mm	1
06E1-10046-02	972368	Kette BC 1/2 L=2344mm	chain BC 1/2 L=2344mm	Kette BC 1/2 L=2344mm	Kette BC 1/2 L=2344mm	1
06S2-04010-01	972462	Schmiernippel D1 M8	Lubricating nipple	GRAISSEUR D1 M8	VALVOLA INGR. PIED. HCCB	6
06X1-00001-12	972480	Kettenschloss 1/2 BC	2 Chain lock 1/2 BC	MAILLON DE CHAINE 1/2 BC	CHIUSURA CATENA BC	2



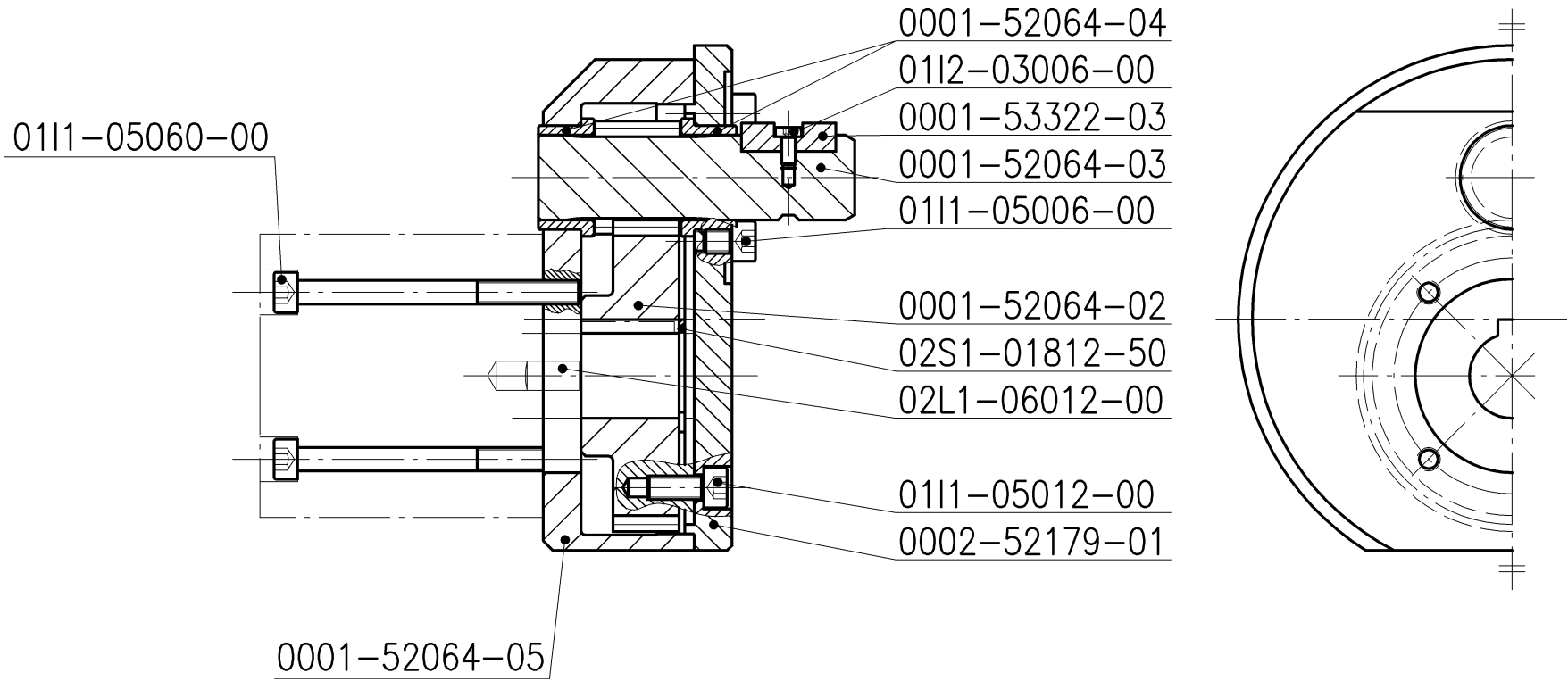
Ansicht A



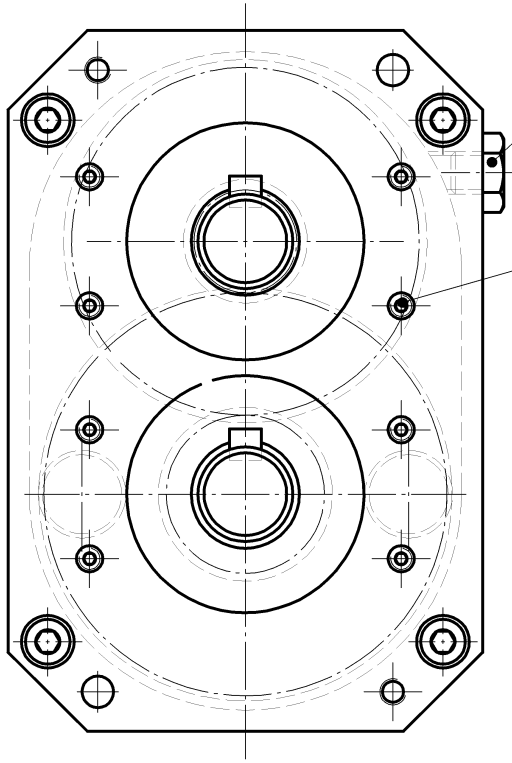
99MK-53750-00	974276	Bohrspindel BC 1 1/4	Drill spindle BC cpl.	BR.FORAGE BC COMPLET	MANDRINO PORTAPUNTA BC-2 1
0000-60056-53	978007	Motorenplatte	Motor Plate	Motorenplatte	Motorenplatte 1
0001-51351-16	970274	Lagerring BC	Bearingring BC	ANNEAU DE BROCHE BC	Lagerring BC 1
0001-51408-01	970325	Lagergehäuse BC	Bearing housing BC	Lagergehäuse BC	Lagergehäuse BC 1
0001-51408-03	970277	Distanzrohr BC	Spacer tube BC	ENTRETOISE BC	DISTANZIATORE MANDRINO BC 1
0001-51408-09	970326	Schlüssel zu Welle BC	Key for drill spindle BC	CLE POUR BROCHE DE FORAGE	Schlüssel zu Welle BC 1
0001-51961-01	970410	Bohrwelle BC	Drill Shaft BC	ARBRE BROCHE BC	ALBERO MANDR.PORTA PUN.BC 1
0001-52008-04	970446	Hohlschraube 2A/AR/AU/4B	Banjo bolt	Vis creuse 2A/AR/AU/4B	VITE CAVA MANDRINO BC 1
0001-53739-02	974745	Wasserring BC-2	Water ring BC-2	TOURET D'INJECTION D'EAU	ANELLO TESTA MANDR.BC-2 1
0001-53739-03	971037	Konsole Bohrspindel BY/BC	Support drill spindle BC	SUPPORT TOURET INJECTION	MENSOLA BY/BC 1
0003-52639-01	971493	Hochmomentkuppl. Welle BC	High-Torque Coupling BC	1/2 ACCOUPLEMENT COUPLE E	GIUNTO ACCOPP.MANDRINO BC 1
0111-06012-00	971704	Inbus-Schraube M 6x 12	Allen screw	Vis CHC M6x12	VITE BRUGOLA M6X12 TENSIO 6
0111-06016-00	971705	Inbus-Schraube M 6x 16	Socket screw M 6x 16	Vis CHC M6x16	VITE BRUGOLA M6X16 6
0111-06016-00	971705	Inbus-Schraube M 6x 16	Socket screw M 6x 16	Vis CHC M6x16	VITE BRUGOLA M6X16 2
0111-06030-00	971713	Inbus-Schraube M 6x 30	Allen screw	Vis CHC M6x30	VITE BRUGOLA M6X30 2
02W1-00505-25	972023	Wellenkeil 5x5x25	shaft key 5x5x25	CLAVETTE 5 X 5 X 25	CHIAVELLA 5X5X25 2
04R1-06006-00	972135	Rillenkugellager 6006	Grooved ball bearing 6006	Roulement a bille 6006	Rillen-Kugellag. 6006 1
04W1-00006-00	974849	Wellenmutter KM6	Shaft Nut KM6	ECROU GENELE BC	Wellenmutter KM6 1
04X1-00006-00	972167	Sicherungsblech MB6	Locking Plate MB6	FREIN D'ECROU BC	Sicherungsblech MB6 1
04Z1-03206-00	972171	Schräggugellager 3206	Inclined ball bearing	Schräggugellager 3206	CUSCINETTO 3206 ATN9 1
05O1-00120-40	972224	O-Ring 12x4 N 70	O-Ring 12x4 N70	O-Ring 12x4 N70	O-RING 12X4 N70 1
05S2-00450-70	972337	Sim.ring A 45/58/7 NBR RF	Seal A 45/58/7 NBR RF	JOINT A LEVRE 45/58/7 NBR	ANELLO TENUTA AS 45X58X7 3
06S2-04010-01	972462	Schmiernippel D1 M8	Lubricating nipple	GRAISSEUR D1 M8	VALVOLA INGR. PIED. HCCB 1
07S2-07013-14	972789	Stecknippel 1/4" A1-WR013	Plug-in nipple 1/4A1-WR013	Coupleur 1/4 A 1-WR013	RACC.ACQUA MASCH.1/4" MA 1
09D1-02224-14	973011	Dichtring 1/4"	Sealing ring 1/4"	Joint d'étanchéité 1/4"	ANELLO TENUTA ACQUA MANDR 3
11M4-HCC15-06	973270	Kugelhahn G 1/4 i/i	ballcock G 1/4 i/i	Kugelhahn G 1/4 i/i	RUBINETTO ACQUA (953613) 1
13K1-02428-05	973624	Kupplungsstern weiss24/28	Star coupling plate	Etoile accoupl. blanche	STELLA IN PLASTICA MANDR. 1
DBZ1-52544-02	974947	Adapter M30BC->1¼"	Connection threaded 1 1/4	Adapter M30BC->1¼"	"Adapter M30BC->1¼" 1



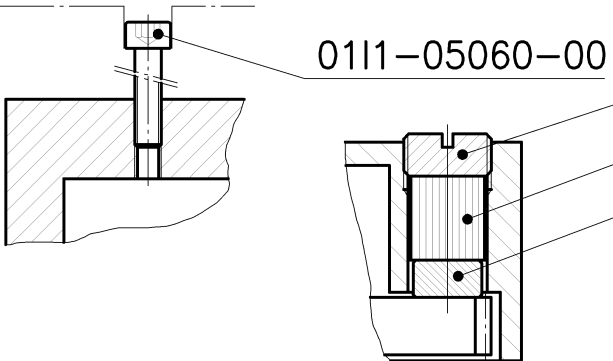
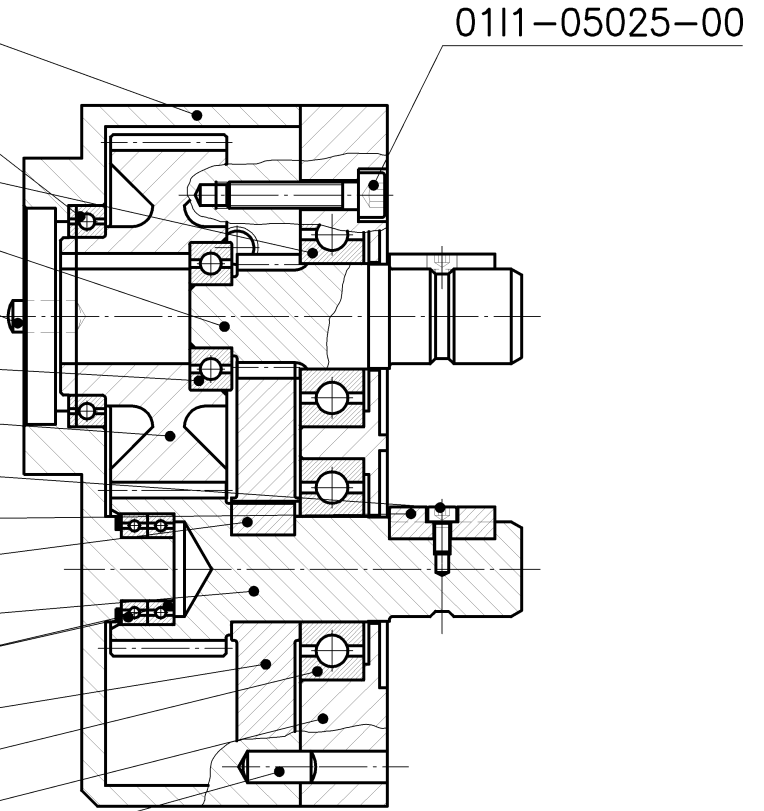
99MK-52056-035	974210	Ausleger BC 350 lose	Extension arm BC	SUPPORT BROCHE BC SEUL 35	BRACCIO SUPPORTO 350 BC	1
0000-52056-10	970034	Ausleger BC 350	Extension BC 350	Ausleger BC 350	Ausleger BC 350	1
01S1-12090-00	971925	6kt-Schraube M12x90	hex.-screw M12x90	VIS H M12X90	6kt-Schraube M12x90	1
01S1-16070-00	971941	6kt-Schraube M16x70	hex.-screw M16x70	6kt-Schraube M16x70	6kt-Schraube M16x70	1
01S1-16150-00	971942	6kt-Schraube M16x150	Hexagonal screw	Vis 6 pans M16x150	VITE M16x150	1
04A1-51101-00	972108	Axial-Kugellager 51101	Axial-Ballbearing	BUTEE A BILLES 51101	CUSCINET.ASSIALE DIAM. 26	1
06K1-12000-00	972376	Klemmhebel M12x20innen	Clamping Lever	MANETTE DE SERRAGE M12X20	MANOPOLA SERRAGGIO BRACCI	1
99MK-52056-055	974211	Ausleger BC 550 lose	Extension arm BC	SUPPORT BROCHE BC SEUL 550	BRACCIO SUPPORTO 550 BC	1
0000-52056-10	970034	Ausleger BC 350	Extension BC 350	Ausleger BC 350	Ausleger BC 350	1
01S1-12090-00	971925	6kt-Schraube M12x90	hex.-screw M12x90	VIS H M12X90	6kt-Schraube M12x90	1
01S1-16070-00	971941	6kt-Schraube M16x70	hex.-screw M16x70	6kt-Schraube M16x70	6kt-Schraube M16x70	1
01S1-16150-00	971942	6kt-Schraube M16x150	Hexagonal screw	Vis 6 pans M16x150	VITE M16x150	1
04A1-51101-00	972108	Axial-Kugellager 51101	Axial-Ballbearing	BUTEE A BILLES 51101	CUSCINET.ASSIALE DIAM. 26	1
06K1-12000-00	972376	Klemmhebel M12x20innen	Clamping Lever	MANETTE DE SERRAGE M12X20	MANOPOLA SERRAGGIO BRACCI	1
99MK-52056-070	974212	Ausleger BC 700 lose	Extension arm BC	SUPPORT BROCHE BC SEUL 700	BRACCIO SUPPORTO 700 BC	1
0000-52056-10	970034	Ausleger BC 350	Extension BC 350	Ausleger BC 350	Ausleger BC 350	1
01S1-12090-00	971925	6kt-Schraube M12x90	hex.-screw M12x90	VIS H M12X90	6kt-Schraube M12x90	1
01S1-16070-00	971941	6kt-Schraube M16x70	hex.-screw M16x70	6kt-Schraube M16x70	6kt-Schraube M16x70	1
01S1-16150-00	971942	6kt-Schraube M16x150	Hexagonal screw	Vis 6 pans M16x150	VITE M16x150	1
04A1-51101-00	972108	Axial-Kugellager 51101	Axial-Ballbearing	BUTEE A BILLES 51101	CUSCINET.ASSIALE DIAM. 26	1
06K1-12000-00	972376	Klemmhebel M12x20innen	Clamping Lever	MANETTE DE SERRAGE M12X20	MANOPOLA SERRAGGIO BRACCI	1
99MK-52056-100	974213	Ausleger BC 1000 lose	Extension arm BC	SUPPORT BROCHE BC SEUL 1000	BRACCIO SUPPORTO 1000 BC	1
0000-52056-10	970034	Ausleger BC 350	Extension BC 350	Ausleger BC 350	Ausleger BC 350	1
01S1-12090-00	971925	6kt-Schraube M12x90	hex.-screw M12x90	VIS H M12X90	6kt-Schraube M12x90	1
01S1-16070-00	971941	6kt-Schraube M16x70	hex.-screw M16x70	6kt-Schraube M16x70	6kt-Schraube M16x70	1
01S1-16150-00	971942	6kt-Schraube M16x150	Hexagonal screw	Vis 6 pans M16x150	VITE M16x150	1
04A1-51101-00	972108	Axial-Kugellager 51101	Axial-Ballbearing	BUTEE A BILLES 51101	CUSCINET.ASSIALE DIAM. 26	1
06K1-12000-00	972376	Klemmhebel M12x20innen	Clamping Lever	MANETTE DE SERRAGE M12X20	MANOPOLA SERRAGGIO BRACCI	1



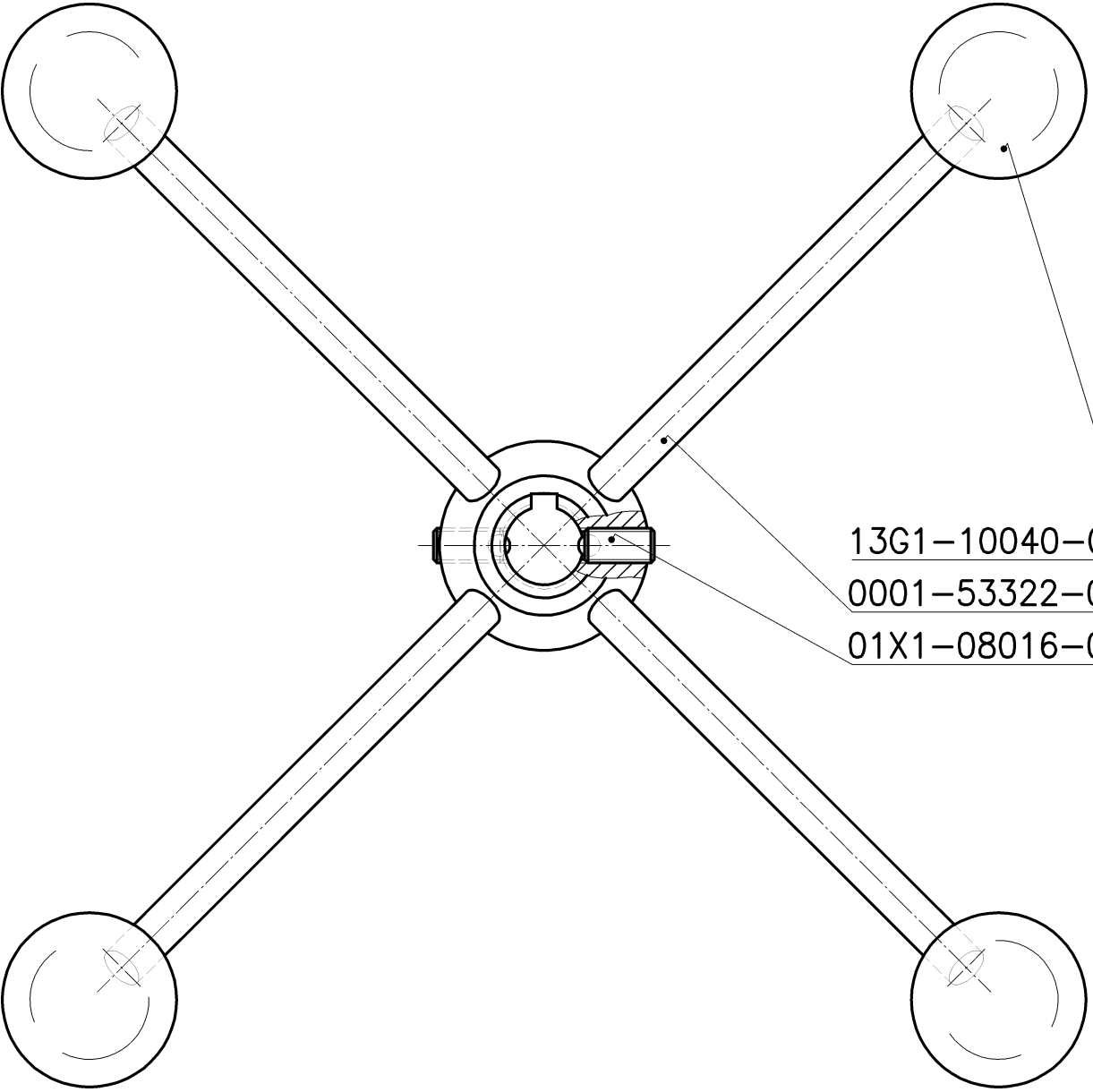
99MK-52679-00	974238	Vorsch.getriebe 1:3 BY/BC	Feed gear 1:3 BY/BC	REDUCTEUR D'AVANCE 1:3 BY	MECCANISMO AVANZ. 1:3 BC	1
0001-52064-02	970469	Wellenzahnrad BC Vorschub	Gear shaft BC-2/BC	PIGNON REDUCTION AVANCE B	INGRANAGGIO RIDUTTORE 2 V	1
0001-52064-03	970470	Zahnradwelle BC Vorschub	Long-face pinion BC feed	ARBRE PIGNON BC	ALBERO AD INGRANAGGIO 1:3	1
0001-52064-04	970471	Laufbüchse BC (Vorschub)	Bushing sleeve BC	COUSSINET REDUC.AVANCE BC	BOCCOLA OTTONE RIDUTTORE	2
0001-52064-05	970472	Getriebegehäuse BC	Gear housing BC	CARTER BOITIER D'AVANCE B	Getriebegehäuse BC	1
0001-53322-03	970926	Keil zu BC-2 Getriebe	Key for BC-2	CLAVETTE VOLANT BC2	CHIAVELLA AVANZ. MAN. BY	1
0002-52179-01	971235	Gehäusedeckel BC Vorschub	Housingcover BC feed	COUVERCLE BOITIER AVANCE	COPERCHIO RIDUTTORE 1:3	1
0111-05006-00	971686	Inbus-Schraube M 5x 6	Socket screw M 5x 6	Inbus-Schraube M 5x 6	VITE M5x6	4
0111-05012-00	971689	Inbus-Schraube M 5x 12	Allen screw	Vis CHC M5x12	VITE M 5x 12	4
0111-05050-00	971699	Inbus-Schraube M 5x 50	Socket screw M 5x 50	Vis CHC M 5x 50	Inbus-Schraube M 5x 50	4
0111-05060-00	971700	Inbus-Schraube M 5x 60	Socket screw M 5x 60	Vis CHC M 5x 60	Inbus-Schraube M 5x 60	4
02S1-01812-50	971994	Seegering Welle Dm 18	Circlip arbor	CIRCLIP D'ARBRE DM 18	SEEGER DM 18	1
01I2-03006-00	975936	Inb.Schr.nied.Kopf M3x6		Vis imbus tête plate M3x6		1
02L1-06012-00	979373	Kerbstift Dm 6x12	Wedge pin dia 6x12	Kerbstift Dm 6x12	Kerbstift Dm 6x12	1



- 0001-53519-01
- 04R1-61806-00
- 06S2-04010-01
- 04R1-06004-00
- 0001-53318-01
- 02L1-06012-00
- 0111-05006-00
- 04R1-06001-00
- 0001-53318-03
- 0112-03006-00
- 0001-53322-03
- 02W1-00606-12
- 0001-53318-02
- 04R1-61801-00
- 0001-53318-04
- 04R1-06004-00
- 0001-53519-02
- 02L1-06012-00
- 0001-53519-05
- 0001-53519-03
- 0001-53519-04

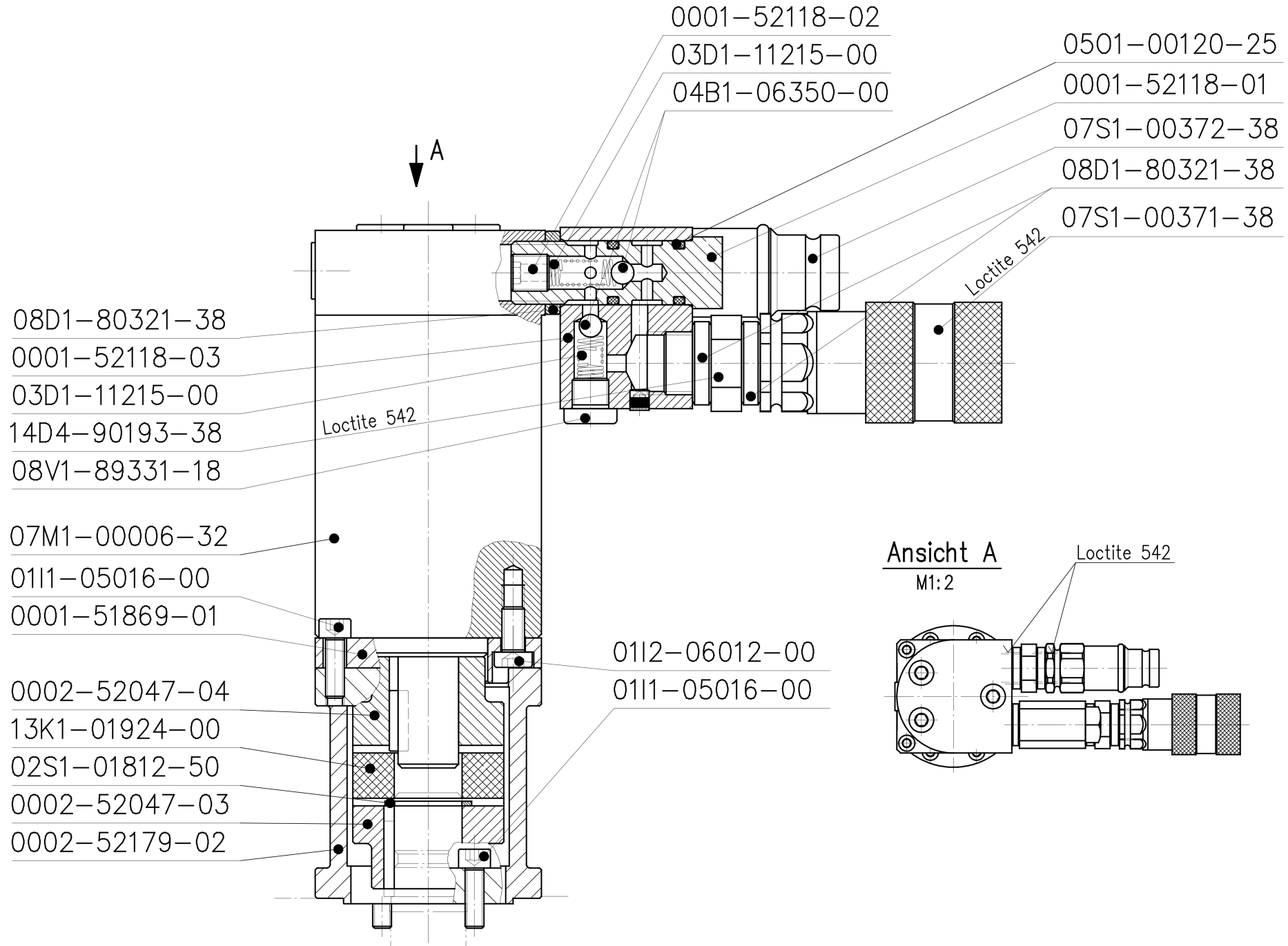


99MK-53350-00	974263	Vorsch.getriebe 2-st BC-2	Feed gear 2-speed BC-2REDUCT. AVANCE 2 RAPPORTS	MECC. DI AVANZAM. 2 VELOC	1	
0001-53318-01	970922	Zahnradwelle 13Z/BC-2	long-face pinion 13Z	Pignon d'arbre 13Z/BC-2	Zahnradwelle 13Z/BC-2	1
0001-53318-02	970923	Zahnradwelle 20Z/BC-2	Long face pinion 20Z	Pignon d'arbre 20Z/BC-2	Zahnradwelle 20Z/BC-2	1
0001-53318-03	970924	Zahnrad 44Z/BC-2	gear wheel 44Z/BC-2	Pignon BC-2 Z44	Zahnrad 44Z/BC-2	1
0001-53318-04	970925	Zahnrad 51Z/BC-2	gear wheel 51Z/BC-2	Pignon d'arbre 51Z/BC-2	Zahnrad 51Z/BC-2	1
0001-53322-03	970926	Keil zu BC-2 Getriebe	Key for BC-2	CLAVETTE VOLANT BC2	CHIAVELLA AVANZ. MAN. BY	2
0001-53519-01	974731	Gehäuse BC-2	Housing BC-2	Gehäuse BC-2	Gehäuse BC-2	1
0001-53519-02	974732	Deckel BC-2	cover BC-2	Deckel BC-2	COPERCHIO	1
0001-53519-03	970979	Federelement	Springelement	Ressort	Federelement	2
0001-53519-04	974733	Bremsklotz BC-2	Brake block BC-2	Patin de freinage BC-2	Bremsklotz BC-2	2
0001-53519-05	970980	Stellschraube	adjusting screw	Stellschraube	Stellschraube	2
0111-05006-00	971686	Inbus-Schraube M 5x 6	Socket screw M 5x 6	Inbus-Schraube M 5x 6	VITE M5x6	8
0111-05025-00	979275	Inbusschraube M 5x 25	Socket screw M 5x 25	Inbusschraube M 5x 25	Inbusschraube M 5x 25	4
0111-05060-00	971700	Inbus-Schraube M 5x 60	Socket screw M 5x 60	Vis CHC M 5x 60	Inbus-Schraube M 5x 60	4
0112-03006-00	975936	Inb.Schr.nied.Kopf M3x6		Vis imbus tête plate M3x6		2
02L1-06012-00	979373	Kerbstift Dm 6x12	Wedge pin dia 6x12	Kerbstift Dm 6x12	Kerbstift Dm 6x12	3
02W1-00606-12	974839	Wellenkeil 6x6x12	shaft key 6x6x12	Wellenkeil 6x6x12	Wellenkeil 6x6x12	1
04R1-06001-00	972132	Rillen-Kugellag. 6001	Grooved ball bearing 6001	ROULEMENT A BILLE 6001	Rillen-Kugellag. 6001	1
04R1-06004-00	972133	Rillen-Kugellag. 6004	Grooved ball bearing 6004	ROULEMENT A BILLE 6004	Rillen-Kugellag. 6004	2
04R1-61801-00	972142	Rillen-Kugellag. 61801T	Ball bearing 61801T	ROULEMENT A BILLE 61801T	Rillen-Kugellag. 61801T	2
04R1-61806-00	972144	RILLENKUGELLAGER 61806T	Ball bearing 61806T	ROULEMENT A BILLE 61806T	Rillen-Kugellag. 61806T	1
06S2-04010-01	972462	Schmiernippel D1 M8	Lubricating nipple	GRAISSEUR D1 M8	VALVOLA INGR. PIED. HCCB	1



13G1-10040-00
0001-53322-04
01X1-08016-00

99MK-53356-00	974268	Handrad zu BC-2	Handwheel cpl. BC-2	VOLANT BC -2	AVANZAM.MAN. BC-2	1
0001-53322-04	970927	Handrad BC-2/BY m.Gewinde	HandWheel BC-2/BY m.thr.	Handrad BC-2/BY m.Gewinde	Handrad BC-2/BY m.Gewinde	1
13G1-10040-00	980240	Kugelgriff M10/Dm 40	ballgrip M10/dia 40	Kugelgriff M10/Dm 40	Kugelgriff M10/Dm 40	4
01X1-08016-00	971981	Druckstück M 8 zu BC-2	Thread-TackM 8 to BC-2	VIS SANS TETE M8 SUR BC-2	SFERA DI PRESSIONE	2

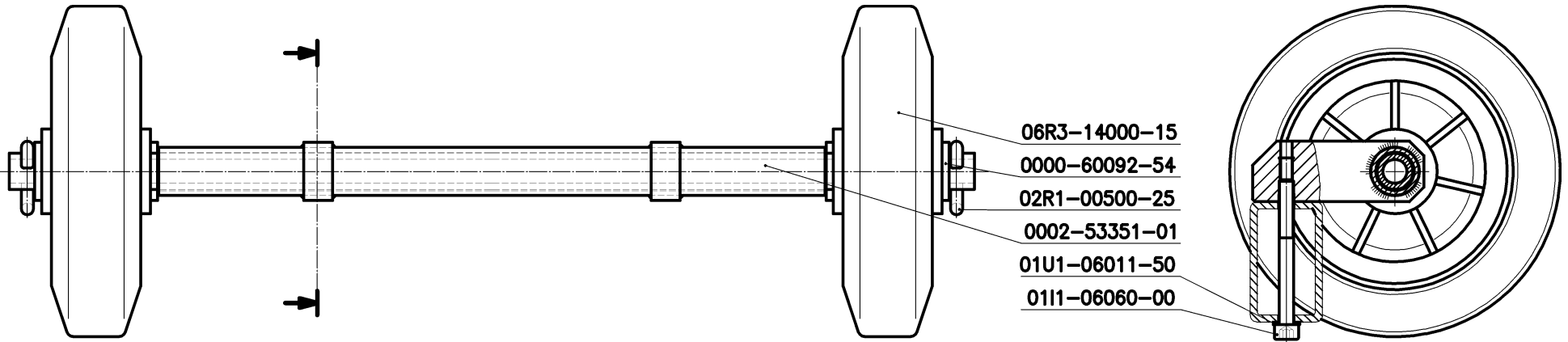


↓ A

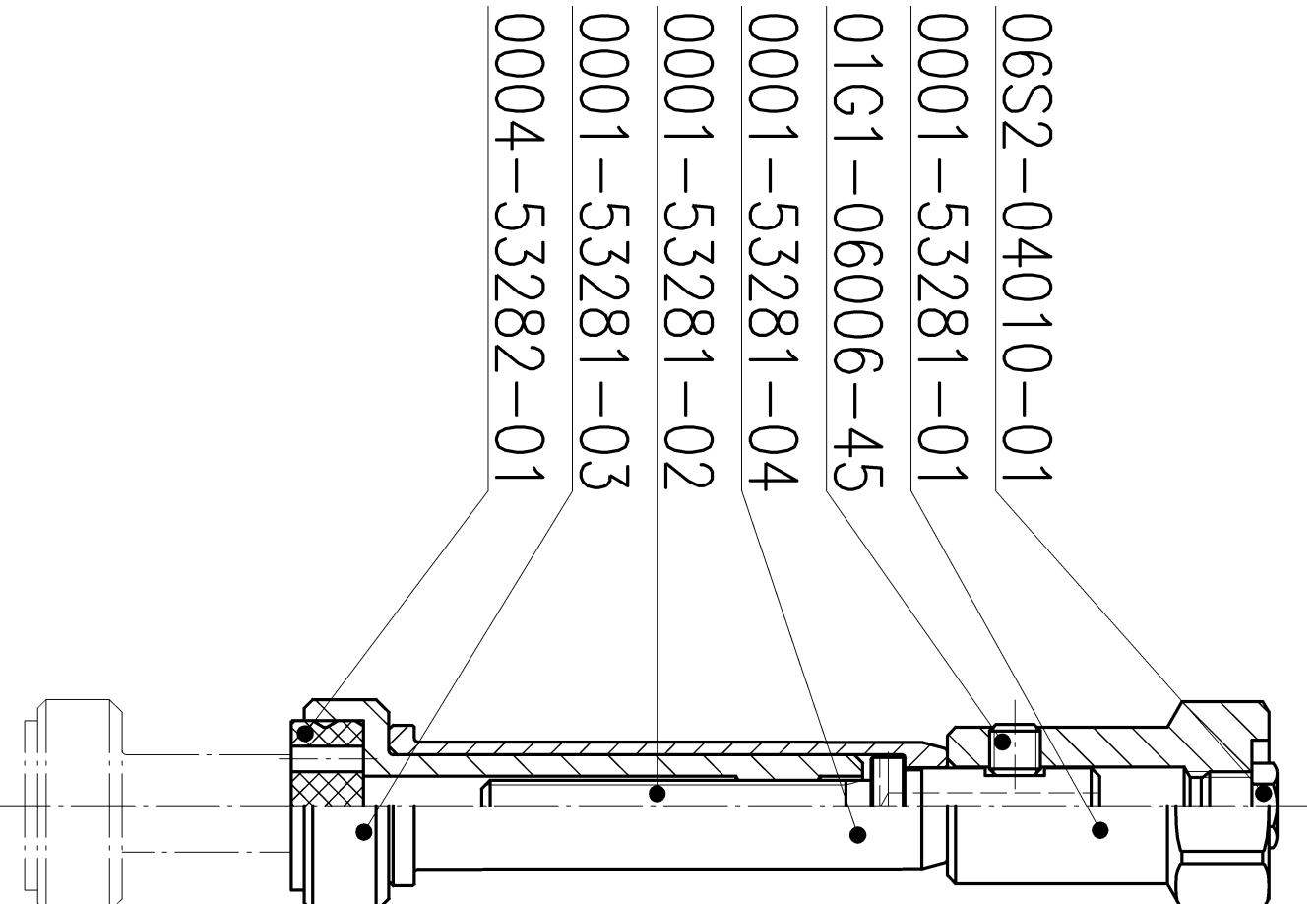
Ansicht A

M1:2

99MK-52681-00	974240	Hydr.vorschub-Anbaus. BC	Hydraulic feed kit BC	AVANCE HYDRAULIQUE BC	AVANZAM.IDRAUL.COMP.32 OM1
0001-51869-01	970386	Motorflansch OMM AZ/BC/BL	Motorflange	FLASQUE MOTEUR OMM AZ/BC/	FLANGIA ALU DANFOSS 1
0001-52118-01	970494	Spez.Hohlschraube BC/BL-S	spec. holl. screw BC/BL-S	Vis creuse BC/BL-S	VITE CAVA AVANZ. BC/BL-S 1
0001-52118-02	974564	Düse BL/BC/AL	Venturi tube	Duse BL/BC/AL	GRANO BL/BC/AL M10X8 1
0001-52118-03	970495	Ventilkörper BC/BL-S/AL	valve body BC/BL-S/AL	Ventilkörper BC/BL-S/AL	VALVOLA AVANZAMENTO BC/BY 1
0002-52047-03	971212	Kupplung Vorschub BC/BY	Feed Coupling BC/BY	ACCOUPEMENT BC AVANCE	GIUNTO D'AVANZAMENTO BC/B 1
0002-52047-04	971213	Kupplung Danfoss BC/BY	Coupling Danfoss BC/BY	ACCOUPEMENT DANFOSS BC/B	GIUNTO D'AVANZ. DANFOSS B 1
0002-52179-02	971236	Kupplungsflansch BC-VORS.	Couplingflange BC Feed	FLASQUE AVANCE BC	FLANGIA ACCOPP. MOTORE BC 1
0111-05016-00	971691	Inbus-Schraube M 5x 16	Allen screw M5 x 16	Inbus-Schraube M 5x 16	VITE BRUGOLA M5X16 8
0112-06012-00	971808	Inb-Schr. Nied.Kopfm 6x12	Allen head screw M 6x12	VIS HC TETE RONDE M 6x12	VITE BRUG. M6X12 PRISMA 3
02S1-01812-50	971994	Seegering Welle Dm 18	Circlip arbor	CIRCLIP D'ARBRE DM 18	SEEGER DM 18 1
03D1-11215-00	972080	Druckfeder Dm6,3x0,8x23	pressure spring	RESSORT CLAPET HCCB4	MOLLA SFERICA AVANZ. BC 2
04B1-06350-00	972115	Kugel Dm 6,35 1/4 INCH.	ball dia 6.35 1/4 Inch	BILLE DM 6,35 1/4 INCH.	SFERA DIAM. 6,35 CR/3 - 2
05O1-00120-25	972223	O-Ring 12x2,5 N 70	O-Ring 12x2,5 N 70	O-RING 12X2	O-Ring 12x2,5 N70 BC 2
07M1-00006-32	972579	Hydraulikmotor OMM 32	Hydraulic motor	Moteur nu dunfos OMM32	MOTORE OMM 32 1
07S1-00371-38	979703	FF Kupplung 3/8 Zoll	Coupling 3/8	FF COUPLEUR 3/8"	RACCORDO BRUNING FEMM. 3/8 1
07S1-00372-38	979707	Nippel 3/8 Zoll	Nipple 3/9	Coupleur 3/8"	RACCORDO BRUNING MASCH.3/8 1
08D1-80321-38	972861	Dichtkantenring G 3/8	Seal Edge ring G 3/8	Joint prismatique 3/8" G	ANELLO TENUTA METAL.3/8" 5
08V1-89331-18	972978	Verschlusschr. 1/8-zyl.	screw plug 1/8-cyl.	BOUCHON FILETE 1/8"	Verschlusschr. 1/8-zyl. 1
13K1-01924-00	973623	Kupplungsstern grün 19/24	Star coupling plate	Etoile d'accouplement 19/	STELLA IN PLASTICA BY-BC 1
14D4-90193-38	973686	Stutzen 3/8 -3/8 Zoll	Muff G3/8" - G3/8"	MAMELON 3/8"	NIPPLES MASCHIO 3/8"-3/8 2
19S3-INBOO-04	973790	Inbusschlüssel SW 4	Allen key SW 4	CLE CHC SW 4	Inbusschlüssel SW 4 1



99MK-53351-00	974264	Fahrchassis BC-2 kompl.	Trolley chassis BC-2	CHASSIS MOBILE BC-2 COMPL	RUOTE TRASPORTO BC-2	1
0000-60092-54	977502	Abdeckscheibe	Cover Disk	DISQUE DE PROTECTION	RONDELLA AVANZ. B6	4
0002-53351-01	971315	Fahrchassis BC-2	Chassis BC-2	Fahrchassis BC-2	Fahrchassis BC-2	1
0111-06060-00	971720	Inbus-Schraube M 6x 60	Socket screw M 6x 60	Inbus-Schraube M 6x 60	VITE BRUGOLA M6 X 60	2
01U1-06011-50	971955	U-Scheibe M6	Washer	U-Scheibe M6	RONDELLA M6	2
02R1-00500-25	979376	Splint DM 5/L=25	Splint DM 5/L=25	Splint DM 5/L=25	Splint DM 5/L=25	2
06R3-14000-15	979642	Vollgummi-Rad 140/37.5	Rubber wheel 140/37.5	Voll-Gummi Rad 140/37.5	Voll-Gummi Rad 140/37.5	2



99MK-53286-00	974259	Verstellfuss zu BC-2	Micro-adjustable-feet	Pied de réglage BC-2	PIEDINO REGOLAB. COMPL.BC 4
0001-53281-01	970906	Griff Verstellfuss BC-2	Grip for adj. feet	VIS DE REGLAGE POUR PIED	DADO PIED. BC-2 1
0001-53281-02	970907	Gewindespindel BC-2	Threaded spindle BC-2	VIS REGLAGE FIN PIEDS BC	ASTA FILETTO BC-2 1
0001-53281-03	970908	Verstellfuss BC-2	Adjustable feet BC-2	SEMELLE PIEDS REGLAGE FIN	VITE FILETTATA PIED. BC/2 1
0001-53281-04	970909	Einpresshülse BC-2	Press-in sleeve BC-2	DOUILLE BC-Z	BOCCOLA PIEDINO BC 1
0004-53282-01	971596	Gummipuffer BC-2	Rubber buffer BC-2	TAMPON PLASTIQUE BC-2	GOMMA TEFLON PIED.HCCB - 1
01G1-06006-45	974827	Gewindestift M6x6	Allen screw	Goujon M6x6	GRANO M6X6 HCCB4/ 1
06S2-04010-01	972462	Schmiernippel D1 M8	Lubricating nipple	GRAISSEUR D1 M8	VALVOLA INGR. PIED. HCCB 1