

TYROLIT

HYDROSTRESS

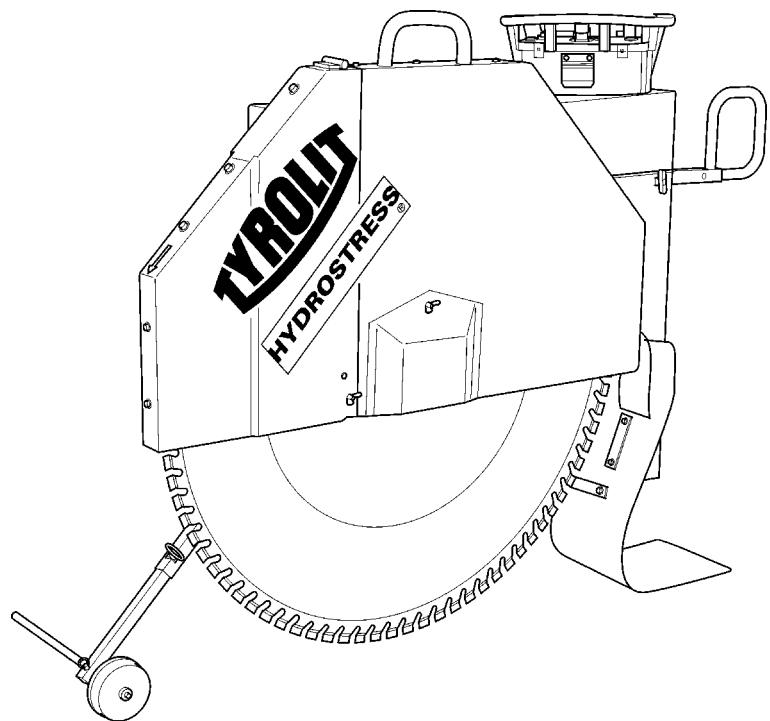
Operating Manual

Spare Parts List

Flat Saw

HFS1030RC

Index "000"



Manufacturer's address:
TYROLIT Hydrostress AG
Witzbergstrasse 18
CH-8330 Pfäffikon
Switzerland
Tel. +41 (0)44 952 18 18
Fax +41 (0)44 952 18 00
www.tyrolit.com

TYROLIT Hydrostress AG reserves the right to make technical changes without prior notice.

Copyright © 2005 TYROLIT Hydrostress AG, CH-8330 Pfäffikon ZH, Switzerland

All rights reserved, in particular copyrighting and translating rights.

Printing of this operating manual, including extracts from it, is prohibited. No parts of it may be reproduced in any form or processed using electronic systems, duplicated or disseminated without the written permission of TYROLIT Hydrostress AG.

Preface to the operating manual

This operating manual makes it easier to become familiar with the machine and to use it properly.

The operating manual contains important information on how to operate the machine safely, properly and efficiently. Following the operating manual helps avoid danger, reduce repair costs and downtime, and increase the machine's reliability and life.

The operating manual must be supplemented with instructions based on national regulations for accident prevention and environmental protection.

The operating manual must always be readily available at the location where the machine is used.

The operating manual must be read and used by any person assigned tasks with the machine, such as:

- **operation**, including set-up, repair of malfunctions during operation, disposal of production waste, maintenance, disposal of materials
- **maintenance** (service, inspection, or repair) and/or
- **Transport**

In addition to the operating manual and the regulations for accident prevention in force in the country and at the location where the machine is used, recognised technical rules for safe and correct operation must be followed.

Table of contents

1. Basic safety instructions
2. Machine description
3. Placement in operation
4. Transport
5. Operation
6. Shut-down
7. Maintenance
8. Repair of malfunctions
9. Supplemental operating instructions for saw blade diameter 900/1000 mm
10. Warranty

1. Basic safety instructions

1.1 Warnings and symbols in this manual

Danger! Points out that serious or even fatal injuries may result if not followed.

Caution! Points out that injuries may result if not followed.

Note

Points out that damage to the machine or other equipment may result if not followed.

1.2 Principle of intended use

1.2.1 The machine has been constructed using the latest technology and in accordance with recognised safety guidelines. Nevertheless, the use of the machine may still represent a risk of injury or death to the user or third parties, or damage to the machine and other material.

1.2.2 The machine may only be used when it is in correct working order and for its intended purpose. The operator must follow the instructions in the operating manual and be fully aware of the safety requirements and hazards posed by the machine! In particular, any faults that may compromise the safety of the machine must be repaired immediately!

1.2.3 The flat saw is intended solely for cutting joints in concrete or asphalt. Cutting of wood, plastic or metal (except reinforcements in concrete) is prohibited! Any additional or other use is considered improper. The manufacturer/supplier is not liable for damages resulting from improper use.

Compliance with the operating manual and observation of inspection and service requirements are essential components of proper use.

1.3 Organisational measures

- 1.3.1 Always keep the operating manual readily available at the location where the machine is used!
- 1.3.2 In addition to the operating manual, observe and instruct the user in all generally applicable legal and other mandatory regulations on accident prevention and environmental protection!
- 1.3.3 Personnel assigned to work with the machine must have read the operating instructions and, in particular, the chapter on safety before beginning work. Reading the manual for the first time when already working on the machine is too late. This applies especially to persons who work on the machine only occasionally, such as those performing set-up and maintenance.
- 1.3.4 Check at least from time to time whether personnel are performing the work in compliance with the operating manual and paying attention to risks and safety factors!
- 1.3.5 Use personal protective equipment where necessary or if required by regulations.
- 1.3.6 Obey all safety and danger notices on the machine!
- 1.3.7 Ensure that all safety and danger notices on the machine remain clearly legible!
- 1.3.8 In the event of safety-relevant changes to the machine or its operating performance, stop the machine immediately and report the malfunction to the responsible authority/ person!
- 1.3.9 Never make any modifications, additions or conversions which might affect safety without the supplier's approval!
- 1.3.10 Only use manufacturer's original parts!
- 1.3.11 Observe the stipulated periods or the periods given in the operating manual for inspections!
- 1.3.12 Make sure appropriate equipment and tools are available for performing maintenance work.

1.4 Personnel selection and qualification:

- 1.4.1 Only reliable personnel may work with the machine. Observe the minimum legal age.
- 1.4.2 Use only trained or instructed staff. Clearly establish individual responsibilities for operation, set-up, maintenance and repair!
- 1.4.3 Ensure that only assigned personnel work with the machine!
- 1.4.4 Specify machine operator responsibilities - including those pertaining to road traffic regulations - and authorise the operator to ignore any instructions from third parties that may compromise safety!
- 1.4.5 Personnel who are being trained, instructed or in training as part of a general education programme may only be permitted to work on the machine while under the constant supervision of an experienced person!
- 1.4.6 Work on electrical equipment on the machine may only be carried out by an electrician or by instructed persons under the guidance and supervision of an electrician in accordance with electrical regulations.

1.5 Safety instructions during specific operating phases

1.5.1 Normal operation

- 1.5.1.1 Avoid all working methods which may compromise safety!
- 1.5.1.2 Take steps to ensure that the machine is operated only in a safe and proper condition!
- 1.5.1.3 Check the machine for visible external damage and defects at least once per shift! Immediately report any changes (including in operational performance) to the appropriate department/individual! If necessary, stop the machine immediately and secure it.
- 1.5.1.3 In the case of a fault, stop the machine immediately and make it secure. Immediately repair any faults!
- 1.5.1.5 Before starting work, become familiar with the work environment at the location where the machine is used. This includes obstacles in the work and traffic area, the load-bearing capacity of the surface, required securing of the construction site from the public traffic area and possibilities for help in case of accidents.

1.5.2 Special work in conjunction with use of the machine and maintenance and repairs during operation; disposal

- 1.5.2.1 Observe all the setting, maintenance and inspection activities and timetables, including instructions for replacing parts/secondary devices, as described in the operating manual! Only technically qualified personnel should carry out these activities.
- 1.5.2.2 Brief operating personnel before beginning special operations and maintenance work! Appoint supervisory personnel.
- 1.5.2.3 If the machine is completely shut down during maintenance and repair work, it must be mechanically secured to prevent accidental activation.
- 1.5.2.4 Before cleaning the machine with water or other cleaning agents, cover/seal all openings that, for reasons of safety and/or functioning, water/cleaning agents must not be allowed to enter. Particularly endangered are electrical motors and switches. Do not clean with a high-pressure cleaner.
- 1.5.2.5 After cleaning, the covers and tapes must be removed completely!
- 1.5.2.6 Always tighten loose screw connections during servicing and maintenance work!
- 1.5.2.7 Any safety devices removed during set-up, maintenance or repair must be reinstalled and checked immediately upon completion of the maintenance and repair work!
- 1.5.2.8 Dispose of fuel and consumable materials and replacement parts in a safe and environmentally-friendly manner!
- 1.5.2.9 The machine may only be operated on electrical circuits with ground-fault circuit interrupters.

1.6 Notes on specific hazard types

1.6.1 Electricity

1.6.1.1 Only use original fuses with the specified amperage! In the electrical power supply is interrupted, shut down the machine immediately!

1.6.1.2 Work on electrical equipment may only be carried out by electricians or by trained persons under the guidance and supervision of an electrician in accordance with electrical regulations.

1.6.1.3 The electrical equipment on the machine should be inspected/checked on a regular basis. Defects, such as loose connections or scorched cables, must be repaired immediately.

1.6.2 Dust

1.6.2.1 Observe applicable national regulations when working in enclosed spaces!

1.6.3 Noise

1.6.3.1 Wear required personal hearing protection!

1.7 Transport

1.7.1 When loading, use only hoists and lifting gear with sufficient capacity!

1.7.2 Appoint a trained supervisor for the lifting procedure!

1.7.3 Machines should be lifted correctly in accordance with the specifications in the operating manual (lifting points for loading lifting equipment, etc.)!

1.7.4 Use only suitable transport vehicles with sufficient lifting capacities!

1.7.5 Secure the load reliably. Use suitable lifting points!

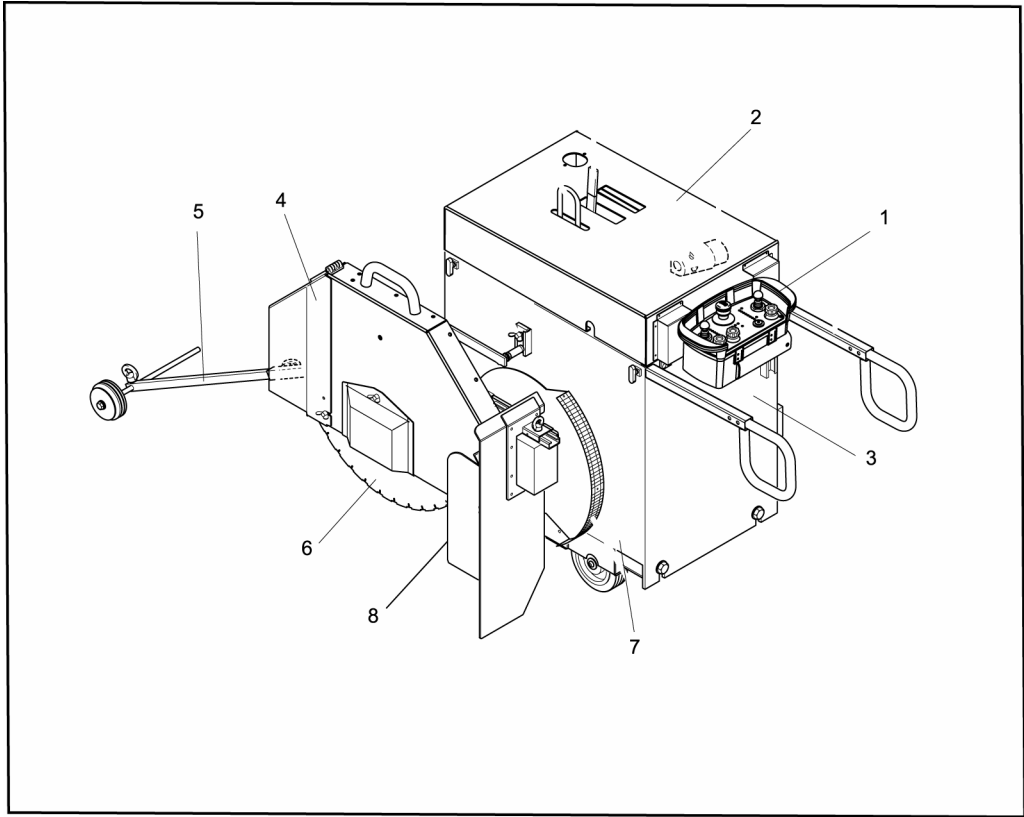
1.7.6 Disconnect all power sources before moving the machine, even for very short distances! Ensure that the machine is correctly reconnected to the power supply before restarting!

1.7.7 Restart the machine strictly in accordance with the operating manual!

2. Machine description

2.1 Overview of components

- Item 1 Operating panel
- Item 2 Motor housing cover
- Item 3 Motor housing Contents: electric motor, control system
- Item 4 Saw blade protective hood
- Item 5 Guide bar
- Item 6 Saw blade
- Item 7 Carriage Contents: gear unit, feed motors
- Item 8 Splash guard



2.2 Protective equipment

Item 6 Saw blade protective hood

2.3. Technical data

	HFS1030RC
Cutting depth adjustment	Electrical / continuous / with depth indicator
Saw blade receptacle	25.4 mm
Feed	Electrical / continuously controllable
Fast motion	Can be switched on
Dimensions L/W/H	1180/720/960 mm
Weight	459 kg
Left / right cut	Yes
Power delivery	22 KW
Voltage / frequency	400 V / 50 Hz
Power consumption	max. 35 A
Saw blade speed	700 – 2700 Min ⁻¹ / continuously controllable
Switch type	Delta
Winding	ISO-KI.F
Winding protection	Posistor

2.4. Accessories

- Saw blade protective hood dia. 1000 mm

2.5. Noise characteristics

Workplace-related continuous sound pressure level for cutting concrete and asphalt (cutting depth 160 mm)

= 80 dB(A)

with diamond segment saw blade NBA and NAK

Sound power level with the same saw blades and conditions

= 96 dB(A)

The workplace-related continuous sound level corresponds to the assessment level in an eight-hour exposition.

ATTENTION! Hearing protection must be worn when 90 dB(A) is exceeded!

2.6. Handle vibration

Operating condition	Measured vibration severity k in direction		
	X	y	z
Cutting of asphalt, blade diameter 600 mm, cutting depth = 220 mm	2.5 ms ⁻²	2.4 ms ⁻²	2.6 ms ⁻²

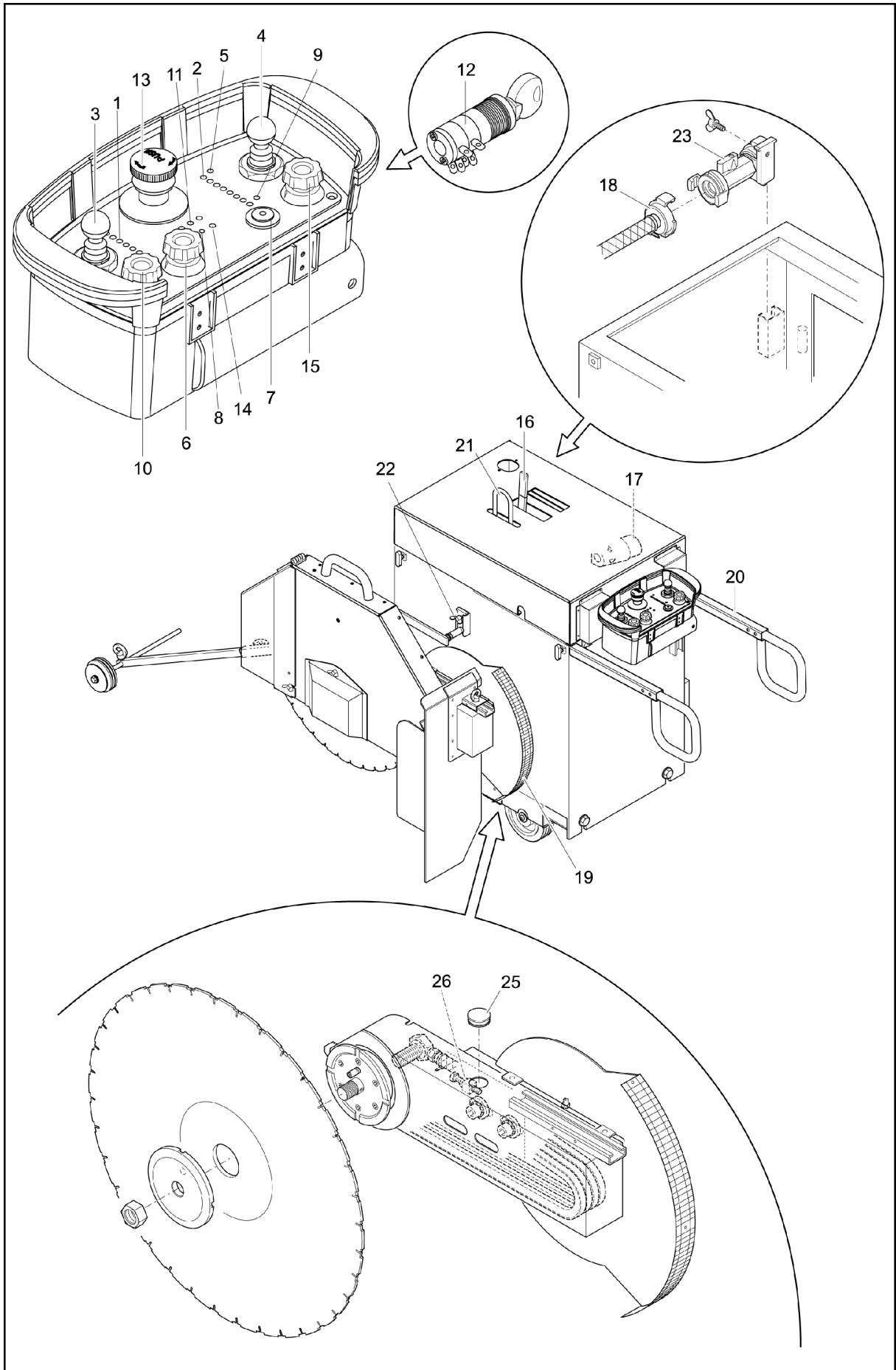
3. Placement in operation

3.1 Operating panel

Before you start the flat saw, you must become familiar with its operation.

Meaning of symbols:

1. Saw blade speed
2. Power consumption
3. Lever for saw blade height adjustment up/down
4. Lever for drive direction (only together with control lever item 16)
CAUTION! Reverse = pull back the lever
Forward = pull out the lever
Stop = Operate the lever for a moment into the other direction
(only during the cutting operation)
5. Drive direction indicator for cutting operation (only together with control lever item 16)
6. Saw blade speed control
7. Saw blade on
8. Malfunction
9. Drive direction indicator for cutting operation reverse
10. Controller for feed speed of the saw blade height adjustment



11. Battery monitor
 - * no lamp is lit = batteries are discharged
 - * the red lamp is lit = batteries must be charged
 - * the yellow lamp is lit = batteries must be charged soon
 - * the green lamp is lit = batteries are charged
12. Switch on the control system (only possible if the Emergency Stop is not locked)
13. • Switch off control system and lock it
 - Emergency stop switch
14. Power supply control lamp
15. Controller for feed speed (cutting operation)

3.2 Preparations for start

- If required, install saw blade (see 5.2 and 5.3)
- Check saw hood and splash guard
- Switch on control (item 12)
- Move flat saw into cutting position
 - * Fast motion by means of control lever (item 16) and lever (item 4)
 - * Set crawl speed through control lever (item 16) and lever (item 4) and controller (item 15)
 - * Saw blade and guide bar disk are over the cutting line
- Plug supply line (400V, 32A) into the socket (item 17) (control lamp for power supply (item 14) is lit)

Attention: The machine may only be operated on electrical circuits protected with ground fault circuit interrupters.

- Turn the saw blade speed control (item 6) back completely
 - Attach water hose to the coupling (item 18) and open the valve
 - Switch on saw blade (item 7)
 - Set speed with controller (item 6)
- Speed to be set:

Saw blade Ø dia. mm	400	500	600	700	800	900	1000
45 m / sec (concrete)	2150	1720	1430	1230	1080	960	860
55 m / sec (asphalt)	2630	2100	1750	1500	1310	1170	1050

- Set controller (item 10) to "0"
- Set the switch (item 3) to "down"
- Slowly move the saw blade downward with the controller (item 10)
- Move it down until the saw blade begins to scratch the surface
- Select the depth scale (item 19) depending on the saw blade diameter
- Carefully lower to desired depth
- Set lever (item 16) to cutting operation
 - * Do not cut in fast motion!
- Set the controller (item 15) to "0"
- Set lever (item 4) to forward (lamp item 5 is on)
- CAUTION! For right cuts, the commands are reversed (see 5.4)**
- Initiate the cutting movement through the controller (item 15)
- To stop you have to operate the lever (item 4) for a moment into the opposite direction

4. Transport

4.1 Transport position means:

- Guide bar is folded up
- Move saw arm upward until the saw blade has adequate ground clearance
- Close the side doors
- The motor hood must be closed
- When transporting with a crane - push guide grips (item 20) in completely and secure

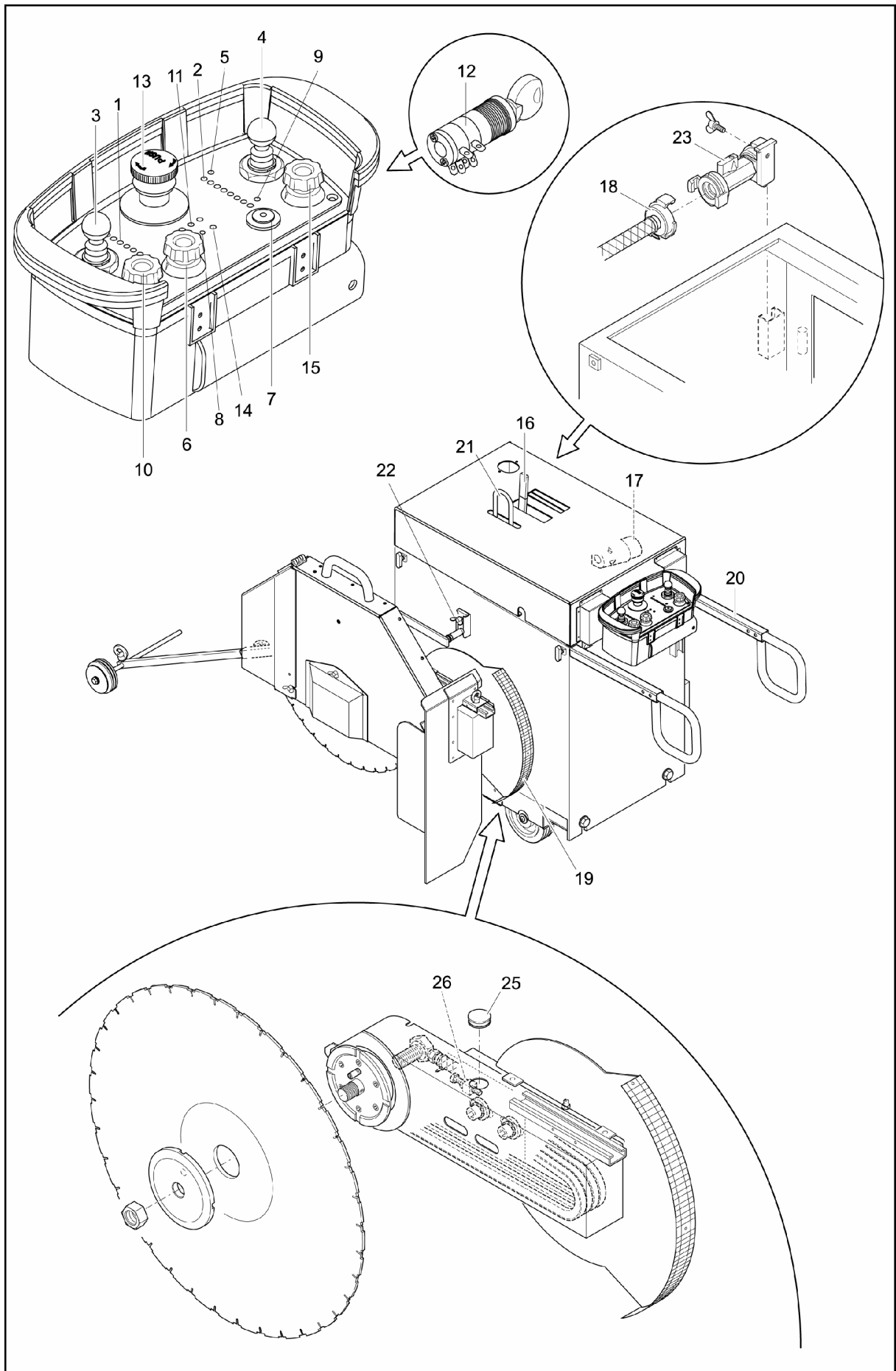
4.2 Movement with the crane

- Observe all points of 3.1
- Attach the crane suspension gear to the rings (item 21)
 - * Pay attention to machine weight
- Lift and set down carefully

4.3 Independent drive

Set the control lever (item 16) to fast motion or cutting operation (switch only when at a standstill).

- * Speed control is not possible with fast motion
 - CAUTION!** The flat saw moves immediately after the control lever (item 4) is actuated.
- * Speed can be controlled in the cutting operation - the feed force is simultaneously greater
- Set the controller (item 15) to "zero"
- Switch on control (item 12)
- Actuate lever (item 5) as needed
- Initiate the feed movement through the controller (item 15)



5. Operation

5.1 Normal cutting operation

Attention: The machine may only be operated on electrical circuits protected with ground fault circuit interrupters.

- Adjust feed speed to the cutting depth and the material being worked on
CAUTION! If feed force is too large, the flat saw attempts to "climb" forward

- Ensure there is adequate water on the saw blade (observe point 7, Maintenance)
 - * Use only fresh or clean water
- Power consumption should not exceed 35 A

5.2 Saw blade replacement

- Raise the saw blade somewhat
 - * Controller (item 10) and switch (item 3)
- Set lever (item 16) to cutting operation
- Turn the flat saw completely off (item 12)
- Unplug feed line (item 17)
- Loosen the wing screw (item 22)
- Pull the saw hood holder out of the C-rail
- Lift the saw hood upward
- Open the flange nut (right-hand thread)
- Remove saw flange thrust washer and saw blade
- Thoroughly clean the flange's contact surfaces, if necessary
- Install new saw blade
ATTENTION! * Rotation direction arrow on the saw blade must match the one on the hood
 - * **The driving pin on the flange must seat in the driving hole on the saw blade**
- Install the saw flange thrust washer and the flange nut
- Install the saw hood

5.3 Change from left to right cut

ATTENTION! Left cut is the flat saw's normal operating condition; right cut should be used only for short sections!

- Remove the saw hood and splash guard
- Disconnect the water hose (item 23) and lay it in the direction of the guide bar
- Swivel the operating panel
- Using the switch (item 3) and controller (item 10), you can swivel the saw arm 180°

CAUTION! Watch the guide bar and water hose during movement.

- Put on the saw hood and connect the water hose
- Pull out the guide bar and reinstall it turned 180°
- Install the guide grips (item 20) on the other side

ATTENTION! In right cut, directions for feed and height adjustment are reversed

6. Shut-down

- Press Emergency Stop (item 13)
- Pull out ignition key (item 12)
- Set the control lever (item 16) to cutting operation (brake effect)

7. Maintenance

	Daily	Weekly	Monthly	Semi-annually
Swivel arm, lube nipple		X		
Swivel the chain Lubricate the feed				X
Swivel the chain Check feed voltage (saw arm must be free of play, see 8.1)			X	
Check V-belt saw blade drive (see 8.2)	X			
Charge battery (see 8.5)		X		

Batteries are maintenance-free!

**ATTENTION! Do not open battery!
Do not fill with water!**

All screws must be tightened after ca. 20 hours of operation! V-belts must be tightened after ca. 2 hours of operation!

8. Repair of malfunctions

8.1

Malfunctions	Possible cause	Remedies
Too little cutting performance; saw blade stops	V-belt slips	Tighten, replace (see 8.3)
No water on the saw blade	Water supply strainer clogged strainer dirty	Clean water line strainer; flush water supply with pressure (5-8 bar)
In cutting operation, machine runs behind or backward	Drive chain for feed motor loose	Tighten
Control cannot be switched on	Battery too weak	(see 8.4)
	Motor was overloaded	Press circuit breaker (in the motor hood)

8.2 Check the V-belt tension

- Remove protective cap (item 25)
- With medium force, it should be possible to depress the V-belt by one belt width

8.3 Adjusting the V-belt tension (item 26)

- Open the lock nut
- Turn the screw
- Install lock nut again

8.4 Charge battery

The battery is placed under a heavy load when the flat saw is driven frequently with automatic feed without supplying electricity to the control

An increased load on the feed motors during operation (e.g. cutting uphill) can also put a heavy load on the battery.

8.4.1 The battery of the HFS1030RC can be recharged through an internal automatic charger:

- Plug in the power supply line (battery is charged automatically)
- Charge battery at least 12 hours

8.4.2 Charging the battery with an external charger

- Remove the sheet-metal jacket from the flat saw.
ATTENTION! You must not charge only one battery!
- Set charger to 24V
- Clamp the plus pole of the charger to the plus pole of the upper battery.
- Clamp the minus pole of the charger to the minus pole of the lower battery.
- Switch on the battery charger (if possible, use a charger with IU- characteristic line)
ATTENTION! The battery must not be refilled with water!
- Charging time depends on the size of your charger (ca. 12 hours)
ATTENTION! When using a 12V charger, you must remove the batteries and charge them individually.

10. Warranty

The warranty period for this machine is 12 months. The following wearing parts are covered under warranty only if the wear is not caused by operation.

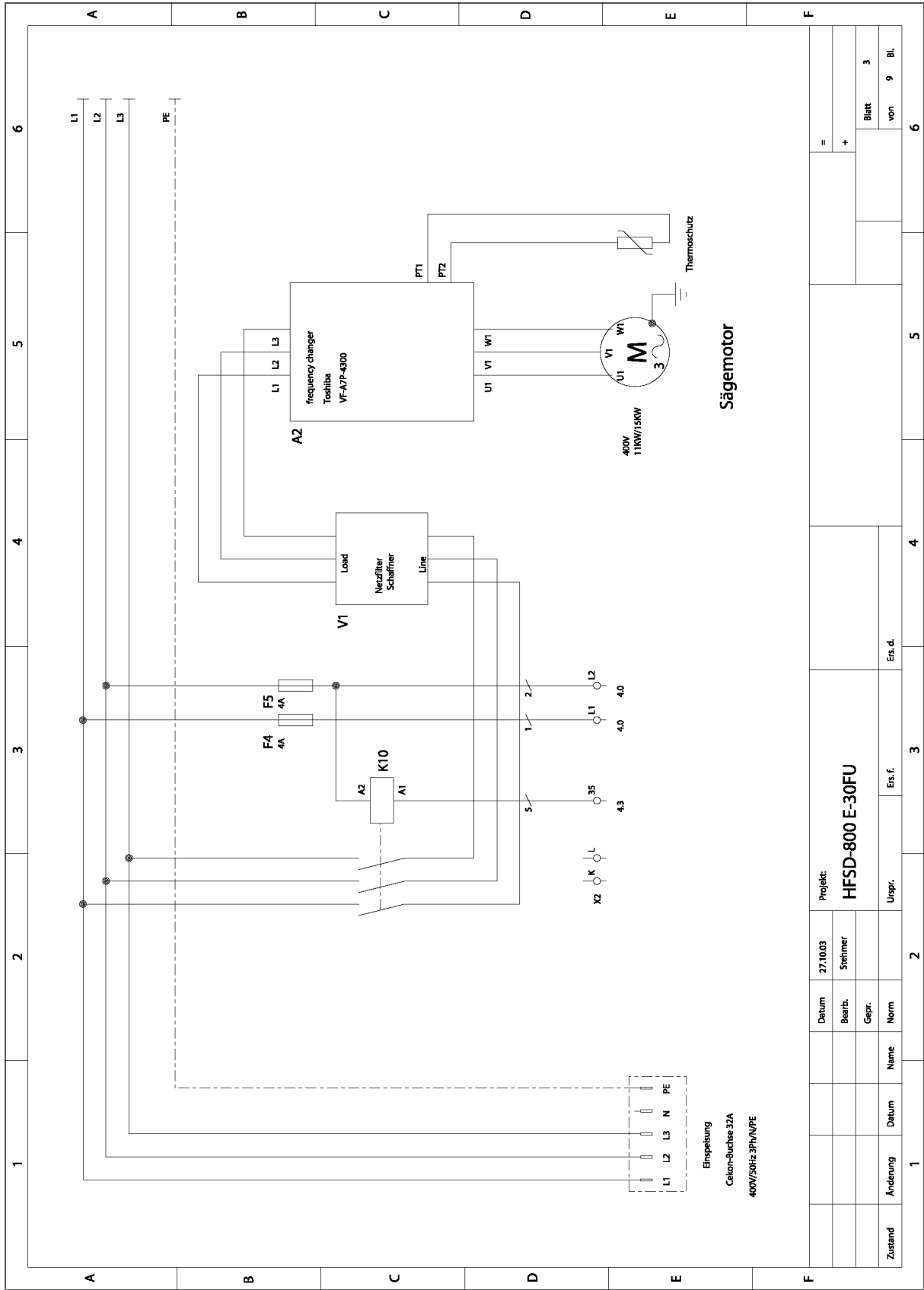
Wearing parts are parts that are subjected to operating wear when the machine is used as intended. The wear time cannot be defined uniformly; it differs according to the intensity of use. Wearing parts must be serviced, adjusted, and, if necessary, replaced specifically by machine according to the manufacturer's operating manual. Operation-related wear does not justify malfunction claims.

- Feed and drive elements such as racks, gears, pinions, spindles, spindle nuts, spindle bearings, ropes, chains, sprockets, belts
- Seals, cables, hoses, collars, plugs, couplings, and switches for pneumatic, hydraulic, water, electrical, and fuel systems
- Guide elements such as guide strips, guide bushes, guide bars, rollers, bearings, non-skid covers
- Clamping elements of quick-disconnect systems
- Flushing head seals
- Sliding and roller bearings not running in an oil bath
- Shaft seal rings and sealing elements
- Friction and overload couplings, brake gear
- Carbon brushes, collectors
- Easy-disconnect rings
- Control potentiometers and manual switching elements
- Fuses and lamps
- Fuel and consumables
- Fastening elements, such as plugs, anchors, and screws
- Bowden wires
- Lamellae
- Diaphragms
- Spark plugs, glow plugs
- Parts of the reversing starter, such as starting rope, catch, roller, spring
- Sealing brushes, sealing rubber, splash guard flaps
- Filters of all kinds
- Drive and deflection rollers and bands
- Rope lay protection elements
- Running and drive gears
- Water pumps
- Cutting material transport rollers
- Drilling, separating, and cutting tools
- Conveyor belt
- Rubber wipers
- Needle felt protection
- Energy storage

EEC Declaration conformity for Flat saw HFS1030RC

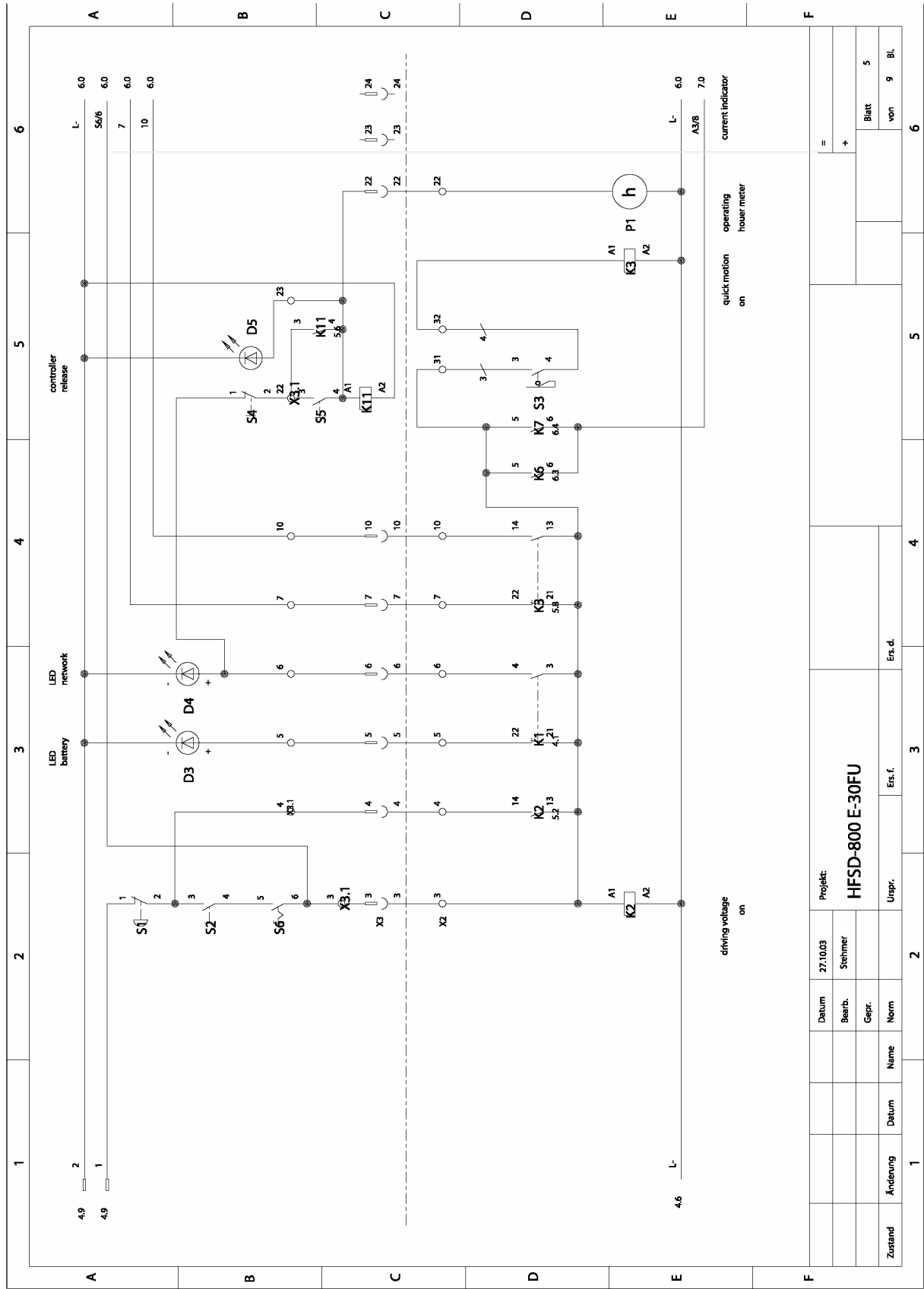
Producer	TYROLIT Hydrostress AG Witzbergstrasse 18 CH-8830 Pfäffikon
Description of machine	Flat saw with electric motor 22 kW and frequency changer cutting depth = 320 mm
Relevant EC-Directives	EC Machine Directive (Council Directive 98/37/EEC, EC Low Voltage Directive (LVD) (Council Directive 73/23 EEC), EC Electromagnetic Compatibility Directive (EMC) (Council Directives 89/336/EEC), EN 292 part 1 and 2, EN 500 part 1 and part 5, EN 294, EN 349, EN 50081-1, EN 50065-1, EN 55014, EN 50082-1, EN 55104, EN 60204, Noise Directives 2000/14/EEC
Authorized person legally responsible:	


.....
Roland Kägi
Manager Development & Production

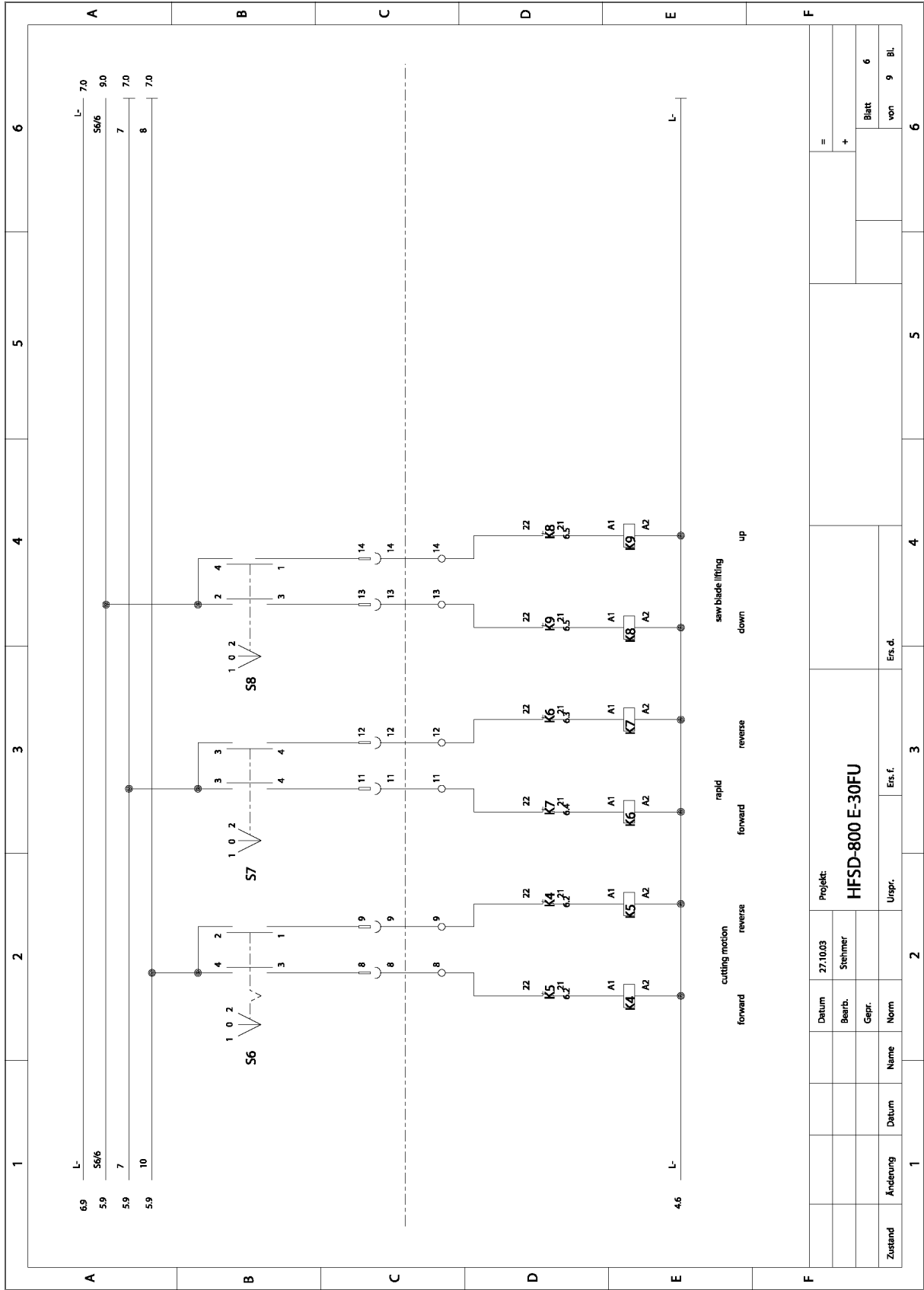


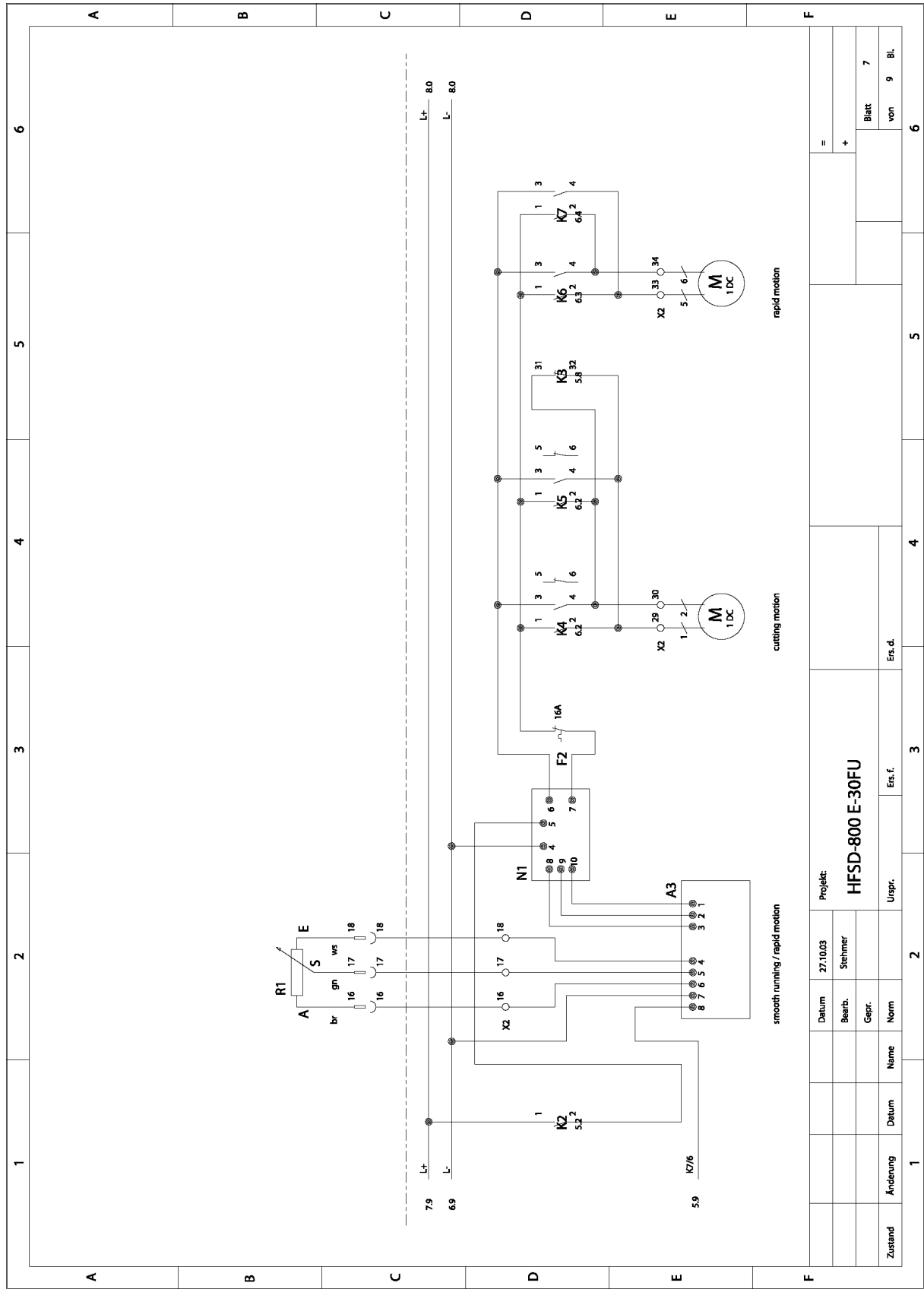
Sägemotor

Zustand	Änderung	Datum	Name	Urspr.	Ers. f.	Ers. d.
Datum			Projekt:			
27.10.03			HFSD-800 E-30FU			
Bearb.			Stehmer			
Gepr.						
Norm						
Blatt			von			
3			9 Bl.			

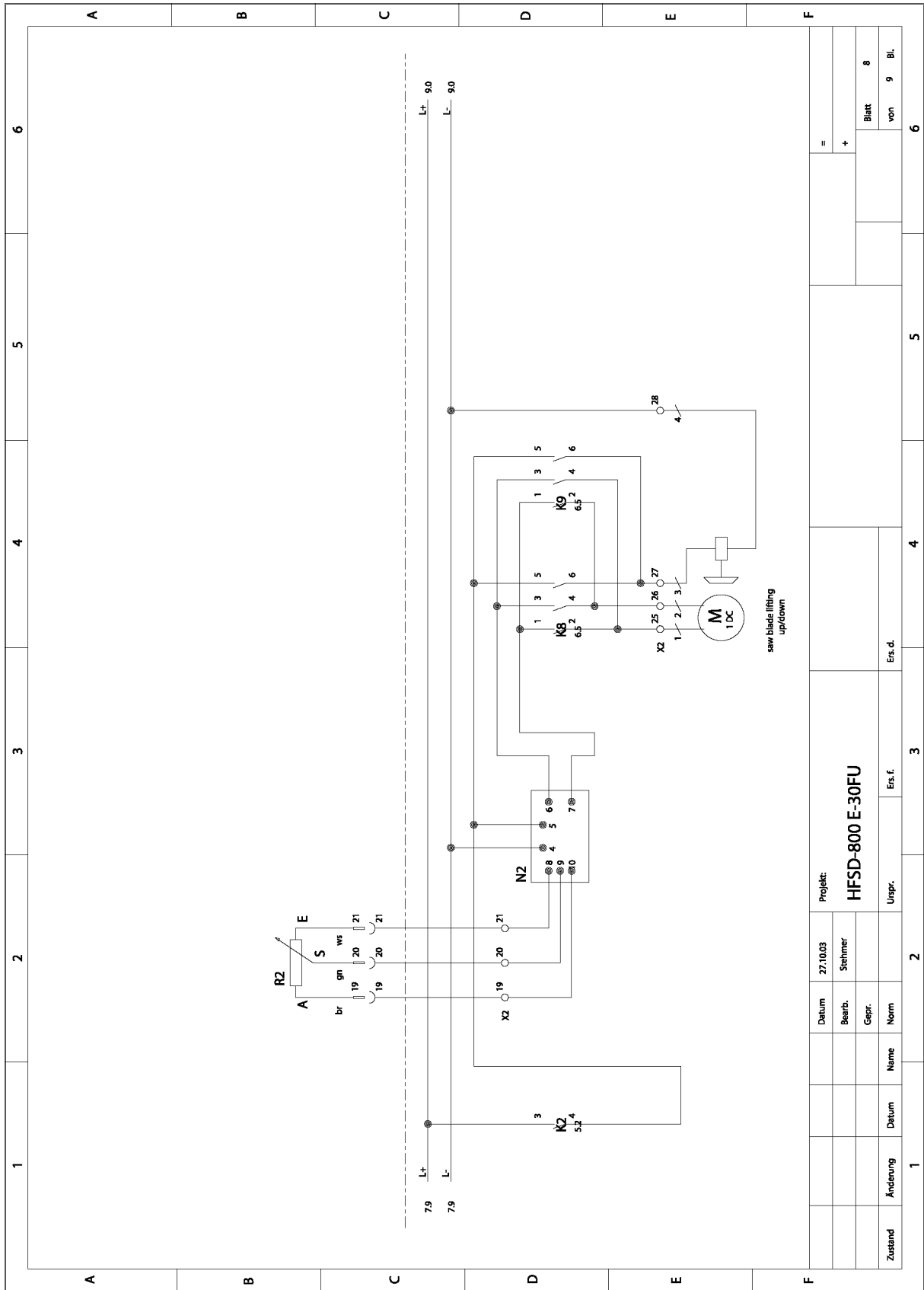


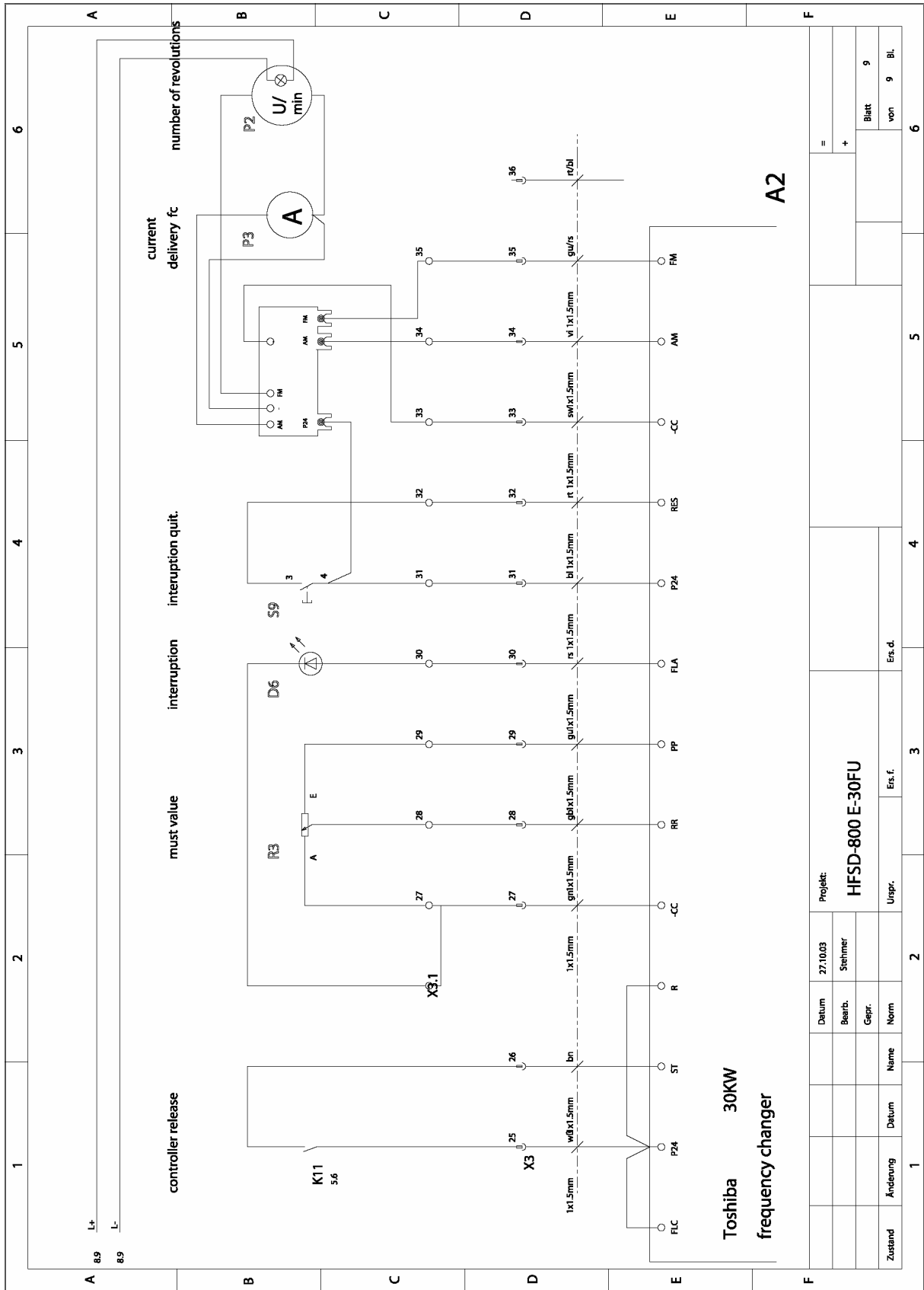
Zustand		Änderung		Datum		Name		Norm		Ers. f.		Ers. d.	
Projekt:												27.10.03	
Date:												Stermer	
Bearb.:													
Gepr.:													
Unspr.:													
Projekt:												HFSD-800 E-30FU	
Blatt												5	
von												9	
Bl.												BL	





Zustand		Änderung		Datum		Name		Norm		Unspr.		Ers. f.		Ers. d.	
Datum		27.10.03		Projekt:		HFSD-800 E-30FU									
Bearb.		Stermer													
Gepr.															
Blatt		7													
von		9		Bl.											





Zustand		Änderung		Datum		Name		Ers. f.		Ers. d.	
1		2		3		4		5		6	
27.10.03		Stermer		Projekt:		HFSD-800 E-30FU		=		+	
Blatt		9		von		9		Bl.		9	

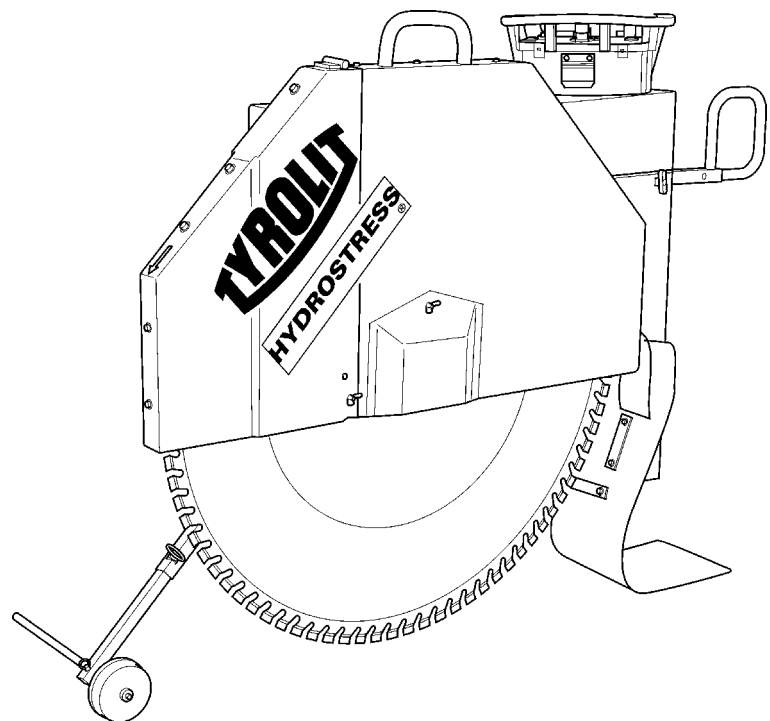
Ersatzteilliste

Spare Parts List / Liste des Pièces détachées / Lista di parti di ricambio

Fugenschneider

HFS1030RC

Index / Indice «000»



How to use the spare parts list

The spare parts list is not intended as instructions for assembly or dismantling work. It is exclusively intended to help you to quickly and easily find spare parts, which can then be ordered at the address below.

Safety regulations



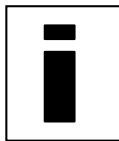
Danger

The assembling or dismantling of modules can involve risks which not identified in this spare parts list.

The use of this spare parts list for assembly or dismantling purposes is strictly forbidden. For assembly or dismantling tasks it is essential to only follow the corresponding descriptions in the operating manual.

If this regulation is not heeded injuries may be incurred which in the worst case can also be fatal.

Ordering



Information

To avoid incorrect deliveries you should check the order details for correctness and completeness (see under ordering details) prior shipment.

You should ensure that the delivery address is given full.

Order address:

TYROLIT Hydrostress AG

Witzbergstrasse 18

CH-8330 Pfäffikon

Switzerland

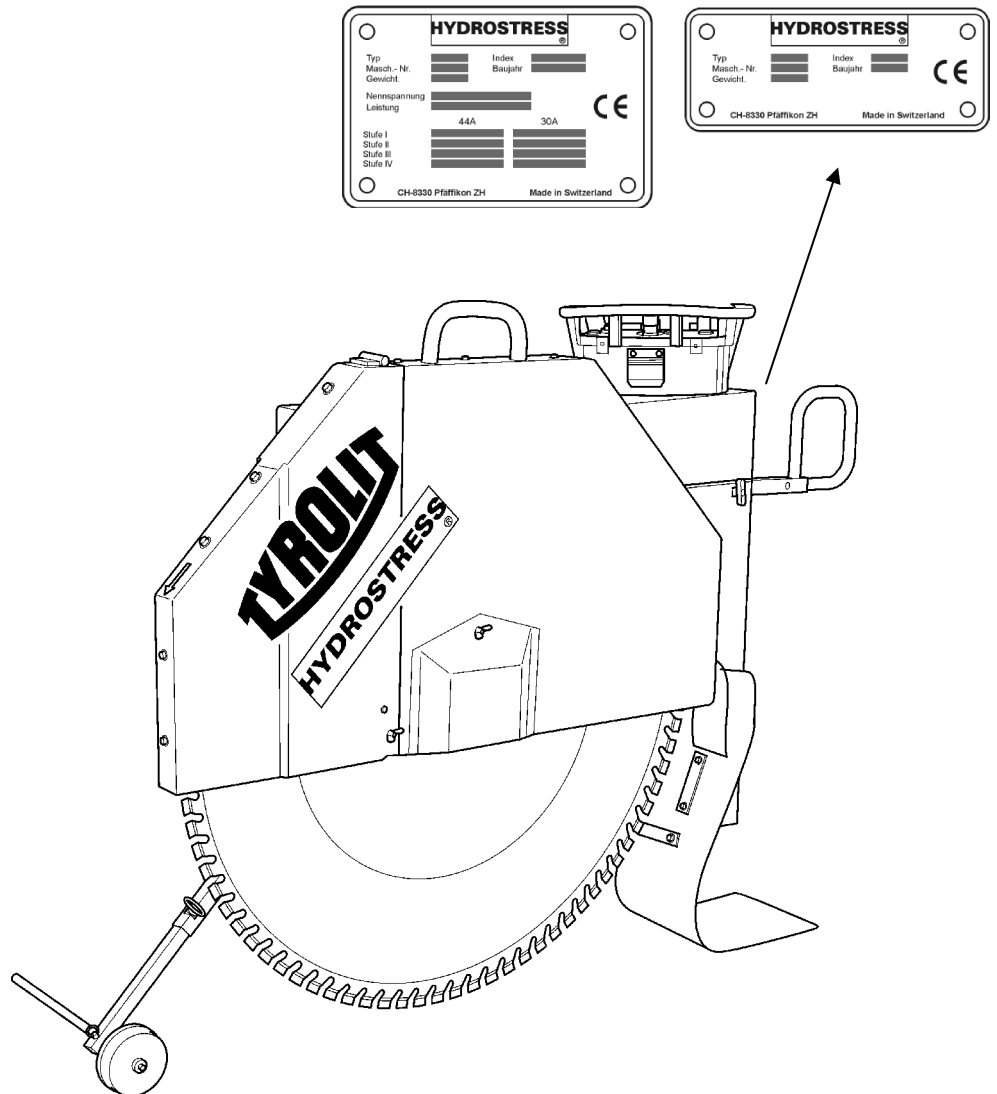
Tel. 0041 (0)44 952 18 18

Fax 0041 (0)44 952 18 00

www.tyrolit.com

0 Spare Parts List

0.1 Ordering details



When spare parts are ordered we need the following detail:

- Machine type according to nameplate (e.g. floor cutter)
- Machine number according to nameplate (e.g. 030001)
- Machine index according to nameplate (e.g. 001)
- Spare part number according to the spare parts list (e.g. 12345678)

For orders, questions and information please contact your responsible branch office.

HFS 1030RC	10981508	Fugenschneider	Floor cutter	Scie à sol	Macchina tagliapavimenti
Pos. Nr.	Bestellnr.	Art.-Nr.	Deutsch	English	Francais
1001		EOLM-601292	U-Scheibe Radachse	Wheel axle washer	Rondelle Axe de roue
1002		EOLM-201651	Rad-Schwerlast	Heavy load wheel	Roue poids lourd
1003		EOLM-601222	Distanz 01	Spacer 01	Ecartement 01
1004		EOLM-601223	Distanz 02	Spacer 02	Ecartement 02
1005		EOLM-200245	Stehlager ENP-205	Pedestal bearing ENP-205	Chaise palier ENP-205
1007		EOLM-300019	Passfeder	Key	Ressort d'ajustage
1008		EOLM-690567	Antriebswelle kpl.	Drive shaft cplt.	Arbre de transmission cpl.
1009		EOLM-201938	Rad Vollgummi	Wheel, solid rubber	Roue en caoutchouc plein
1010		EOLM-601028	Verkleidungsblech	Cladding plate	Tôle de revêtement
1011		EOLM-690665	Fahrgestell	Running gear	Châssis
1012		EOLM-400289	Tuelle Durchfuehr	Socket bushing	Douille de traversée
1013		EOLM-280105	Stellschraube	Adjusting screw	Vis de réglage
1013.1		EOLM-680140	Schaltzug-Antrieb kpl.	Pull-switch drive cplt.	Commande câble cpl.
1014		EOLM-200257	Nippel für Reg. Hebel	Nipple for ctrl. lever	Nipple pour levier régl.
1015		EOLM-601191	Bodenpl. (Antrieb)	Bed plate (drive)	Plaque (commande)
1016		EOLM-400053	Endschalter	Limit switch	Interrupteur de fin de course
1017		EOLM-200379	Rollenkette	Roller chain	Chaîne à rouleaux
1017.1		EOLM-200867	Kettensteckglied mit Feder	Chain link with spring	Maille de chaîne avec ressort
1018		EOLM-300582	Sechskantschraube	Hex. screw	Ecrou hexagonal
1019		EOLM-200203	Kettenspannrad	Chain tensioner wheel	Roue de tension de chaîne
1020		EOLM-601293	Überlast-Ritzel	Overload pinion	Pignon de surcharge
1021		EOLM-300179	Scheibe-Stahl	Washer - steel	Disque d'acier
1022		EOLM-601060	Motorflansch	Motor flange	Bride moteur
1023		EOLM-300100	Vierkantmutter	Square nut	Ecrou carré
1024		EOLM-300293	Gewindestift	Grub screw	Vis sans tête
1025		EOLM-300693	Passfeder	Key	Ressort d'ajustage
1026		EOLM-400246	E-Motor 24V	E-motor 24V	Moteur E 24V
1027		EOLM-601058	Getriebeaufnahme	Gear receptacle	Logement transmission
1028		EOLM-601036	Reibrad 01	Friction wheel 01	Galet de friction
1029		EOLM-200208	Spannsatz ETP-MINI	Locking device ETP-MINI	Kit de serrage ETP-MINI
1032		EOLM-601162	Endschalterblech	Limit switch panel	Tôle interrupteur de fin de course

HFS 1030RC	10981508	Fugenschneider	Floor cutter	Scie à sol	Macchina tagliapavimenti
Pos. Nr.	Bestellnr.	Art.-Nr.	Deutsch	English	Italiano
1033		EOLM-601147	Blechwinkel (Endschalter)	Sheet-metal bracket (limit switch)	Angolo lamiera (finecorsa)
1034		EOLM-601057	Wippe 1 Vorschub	Rocker 1 feed	Deviatore 1 avanzamento
1035		EOLM-680026	Scharnier kpl.	Hinge cplt.	Cerniera compl.
1036		EOLM-690148	Wippe 2 Vorschub	Rocker 2 feed	Deviatore 2 avanzamento
1037		EOLM-200253	Druckfeder	Compression spring	Molla a compressione
1040		EOLM-400890	Gehäuse 6-fach	Six-fold housing	alloggiamento 6x
1041		EOLM-400889	Gehäuse 6-fach f. Flachstecker	Six-fold housing for flat plug	Alloggiamento 6x per connettori piatti
1042		EOLM-690147	Motoraufnahme	Motor receptacle	Supporto del motore
1043		EOLM-400237	E-Motor 24V	E-motor 24V	Motore elettrico da 24V
1044		EOLM-601059	Motoraufnahme	Motor receptacle	Supporto del motore
1045		EOLM-201551	Reibrad Extrahan	Extrahan friction wheel	Ruota di frizione
1046		EOLM-200208	Spannsatz ETP-Mini	Locking device ETP-MINI	Kit di serraggio ETP-Mini
1047		EOLM-601254	Bodenwanne	Bottom pan	Fondo socca
1048		EOLM-690567	Antriebswelle kpl.	Drive shaft cplt.	Albero motore compl.
1050		EOLM-300464	Linsenkopfschraube mit Innen-sechskant	Tallow-drop screw with hexagon socket	Vite a testa cilindrica con esagono cavo
1051		EOLM-300094	Gewindestift	Grub screw	Spina filettata
1052		EOLM-300261	Senkschraube mit Inbus	Countersunk screw with Inbus	Vite a testa svasata con esagono cavo
1053		EOLM-300048	Sicherungsschraube	Safety screw	Vite di sicurezza
1054		EOLM-300279	Schnorrnsicherung	Securing device	Fusibile Schnorr
1055		EOLM-300566	Sechskantschraube	Hex. screw	Vite a testa esagonale
1056		EOLM-300409	Sechskantschraube	Hex. screw	Vite a testa esagonale
1057		EOLM-300245	Schnorrnsicherung	Securing device	Fusibile Schnorr
1058		EOLM-300248	Scheibe-Stahl	Washer - steel	Rondella in acciaio
1059		EOLM-300172	Sechskantschraube	Hex. screw	Vite a testa esagonale
1060		EOLM-360041	Senkschraube mit Inbus	Countersunk screw with Inbus	Vite a testa svasata con esagono cavo
1061		EOLM-360044	Senkschraube mit Inbus	Countersunk screw with Inbus	Vite a testa svasata con esagono cavo
1062		EOLM-300125	Scheibe-Stahl	Washer - steel	Rondella in acciaio

HFS 1030RC	10981508	Fugenschneider	Floor cutter	Scie à sol	Macchina tagliapavimenti
Pos. Nr.	Bestellnr.	Art.-Nr.	English	Francais	Italiano
1063		EOLM-300409	Hex. screw	Ecrou hexagonal	Vite a testa esagonale
1064		EOLM-300322	Socket head screw with Inbus	Vis à tête cylindrique Alene	Vite a testa cilindrica con esagono cavo
1065		EOLM-300580	Socket head screw with Inbus	Vis à tête cylindrique Alene	Vite a testa cilindrica con esagono cavo
1066		EOLM-300455	Securing device	Dispositif d'arrêt	Fusibile Schnorr
1067		EOLM-300382	Socket head screw with Inbus	Vis à tête cylindrique Alene	Vite a testa cilindrica con esagono cavo
1068		EOLM-300598	Washer - steel	Disque d'acier	Rondella in acciaio
1069		EOLM-300240	Lock nut BIW V-shape	Contre-écrou forme BIW V	Dado di sicurezza BIW a V
1070		EOLM-300146	Hexagon nut	Vis hexagonale	Dado esagonale
1071		EOLM-360042	Countersunk screw with Inbus	Boulon Alene à tête conique	Vite a testa svasata con esagono cavo
1072		EOLM-300342	Hex. screw	Ecrou hexagonal	Vite a testa esagonale
1073		EOLM-300661	Countersunk screw with Inbus	Boulon Alene à tête conique	Vite a testa svasata con esagono cavo
1074		EOLM-300263	Washer - steel	Disque d'acier	Rondella in acciaio
1075		EOLM-300264	Hexagon nut	Vis hexagonale	Dado esagonale
1076		EOLM-360044	Countersunk screw with Inbus	Boulon Alene à tête conique	Vite a testa svasata con esagono cavo
1077		EOLM-300338	Phillips oval-head screw	Vis à tête conique bombée avec fentes en croix	Vite a testa cilindrica con intaglio a croce
1078		EOLM-300338	Phillips oval-head screw	Vis à tête conique bombée avec fentes en croix	Vite a testa cilindrica con intaglio a croce
1079		EOLM-300048	Safety screw	Vis de blocage	Vite di sicurezza
1080		EOLM-601395	Support arm	Equerre de maintien	Angolo di arresto
2001		EOLM-300375	Socket head screw with Inbus	Vis à tête cylindrique Alene	Vite a testa cilindrica con esagono cavo
2002		EOLM-300166	Washer - steel	Disque d'acier	Rondella in acciaio
2003		EOLM-300574	Securing device	Dispositif d'arrêt	Fusibile Schnorr
2004		EOLM-601309	Motor foot 02	Socle moteur 02	Base motore 02
2005		EOLM-601308	Motor foot 01	Socle moteur 01	Base motore 01
2006		EOLM-402352	E motor	Moteur E	Motore elettrico

HFS 1030RC	10981508	Fugenschneider	Floor cutter	Scie à sol	Macchina tagliapavimenti
Pos. Nr.	Bestellnr.	Art.-Nr.	Deutsch	English	Francais
					Italiano
2007			Passfeder	Key	Linguetta di aggiustamento
2008		EOLM-300398	Sechskantschraube	Hex. screw	Vite a testa esagonale
2009		EOLM-300574	Schnorrnsicherung	Securing device	Fusibile Schnorr
2010		EOLM-300166	Scheibe-Stahl	Washer - steel	Rondella in acciaio
2011		EOLM-400384	Kabelverschraubung	Cable fitting	Avvitamento cavi
2012		EOLM-402329	Leitung Flexibel 1,00 m	Line, flexible 1.00 m	Linea flessibile da 1,00 m
2013		EOLM-402347	Leitung Flexibel 0,95 m	Line, flexible 0.95 m	Linea flessibile da 0,95 m
2014		EOLM-300468	Zylinderschraube mit Inbus	Socket head screw with Inbus	Vite a testa cilindrica con esagono cavo
2015		EOLM-601326	Abdeckblech	Cover plate	Lamiera di copertura
2016		EOLM-300319	Scheibe-Stahl	Washer - steel	Rondella in acciaio
2017		EOLM-300832	Sicherungsmutter BIW V-Form	Lock nut BIW V-shape	Dado di sicurezza BIW a V
2018		EOLM-601313	Flanschwinkel Lang	Flange angle, long	Angolo flangiato lungo
2019		EOLM-601312	Flanschwinkel kurz	Flange angle, short	Angolo flangiato corto
2020		EOLM-300273	Sechskantmutter	Hexagon nut	Dado esagonale
2021		EOLM-300125	Scheibe-Stahl	Washer - steel	Rondella in acciaio
2022		EOLM-300046	Sicherungsschraube	Safety screw	Vite di sicurezza
2023		EOLM-360192	Senkschraube mit Inbus	Countersunk screw with Inbus	Vite a testa svasata con esagono cavo
2024		EOLM-300624	Zylinderschraube mit Inbus	Socket head screw with Inbus	Vite a testa cilindrica con esagono cavo
2025		EOLM-205374	Rohrschelle doppelt	Tube clamp, double	Staffa per tubi doppia
2026		EOLM-300270	Zylinderschraube mit Inbus	Socket head screw with Inbus	Vite a testa cilindrica con esagono cavo
2027		EOLM-204817	Rohrschelle mit Gummiprofil	Tube clamp with rubber profile	Staffa per tubi con profilo di gomma
2028		EOLM-402348	Tülle Durchführung	Bushing tube	Isolatore di passaggio
2029		EOLM-609479	Motorrahmen	Motor frame	Telaio del motore
2030		EOLM-360044	Senkschraube mit Inbus	Countersunk screw with Inbus	Vite a testa svasata con esagono cavo
2031		EOLM-205218	Gummimetallpuffer zylindrisch	Rubber metal buffer, cylindrical	Tampone di gommametallo cilindrico
2032		EOLM-680262	Schaltkasten	Switchbox	Scatola di comando

HFS 1030RC	10981508	Fugenschneider	Floor cutter	Scie à sol	Macchina tagliapavimenti
Pos. Nr.	Bestellnr.	Art.-Nr.	Deutsch	English	Francais
			Deutsch	English	Italiano
2033		EOLM-400439	Gegenmutter Skindicht	Check nut, skin-tight	Contre-écrou Skindicht
2034		EOLM-461633	Kabelverschraubung	Cable fitting	Vis de câble
2035		EOLM-400497	Leitung Flexibel 1,50 m	Line, flexible 1.50 m	Conduite flexible 1,50 m
2036		EOLM-400440	Gegenmutter Skindicht	Check nut, skin-tight	Contre-écrou Skindicht
2037		EOLM-461633	Kabelverschraubung	Cable fitting	Vis de câble
2038		EOLM-460319	Leitung Flexibel 1,20 m	Line, flexible 1.20 m	Conduite flexible 1,20 m
2039		EOLM-400497	Leitung Flexibel 0,80 m	Line, flexible 0.80 m	Conduite flexible 0,80 m
2040		EOLM-400440	Gegenmutter Skindicht	Check nut, skin-tight	Contre-écrou Skindicht
2041		EOLM-461759	Kabelverschraubung	Cable fitting	Vis de câble
2042		EOLM-400957	Leitung Flexibel 1,40 m	Line, flexible 1.40 m	Conduite flexible 1,40 m
2043		EOLM-400195	Leitung Flexibel 0,50 m	Line, flexible 0.50 m	Conduite flexible 0,50 m
2044		EOLM-400105	Leitung Flexibel 1,70 m	Line, flexible 1.70 m	Conduite flexible 1,70 m
2047		EOLM-300298	Zylinderschraube mit Inbus	Socket head screw with Inbus	Vis à tête cylindrique Alene
2048		EOLM-300248	Scheibe-Stahl	Washer - steel	Disque d'acier
2049		EOLM-400330	Stecker Geräte	Device plug	Connecteur appareil
2050		EOLM-400264	Kabelverschraubung Polyamid	Polyamide cable fitting	Vis de câble polyamide
2051		EOLM-460162	Leitung Flexibel Gummi	Line, flexible, rubber	Conduite flexible caoutchouc
2052		EOLM-460052	Leitung Flexibel 1,70 m	Line, flexible 1.70 m	Conduite flexible 1,70 m
2053		EOLM-460604	Kabelverschraubung Skintop	Cable fitting, skin-top	Vis de câble Skintop
2054		EOLM-460401	Reduzierung Messing	Reducer, brass	Riduttore in ottone
2055		EOLM-402324	Socketgehäuse 10 Pol	Base housing, 10 pole	Boîtier à socle 10 pôles
2056		EOLM-402133	Buchseneinsatz 42 Pol	Socket insert, 42 pole	Insert de douille 42 pôles
2057		EOLM-461634	Kabelverschraubung	Cable fitting	Vis de câble
2058		EOLM-300270	Zylinderschraube mit Inbus	Socket head screw with Inbus	Vis à tête cylindrique Alene
2059		EOLM-300319	Scheibe-Stahl	Washer - steel	Disque d'acier
2060		EOLM-300832	Sicherungsmutter BIW V-Form	Lock nut BIW V-shape	Contre-écrou forme BIW V
2065		EOLM-601362	Klemmkasten	Terminal box	Coffret de serrage
2066		EOLM-300642	Zylinderschraube mit Inbus	Socket head screw with Inbus	Vis à tête cylindrique Alene
2067		EOLM-400439	Gegenmutter Skindicht	Check nut, skin-tight	Contre-écrou Skindicht
2068		EOLM-460606	Kabelverschraubung Skintop	Cable fitting, skin-top	Vis de câble Skintop

HFS 1030RC	10981508	Fugenschneider	Floor cutter	Scie à sol	Macchina tagliapavimenti
Pos. Nr.	Bestellnr.	Art.-Nr.	Deutsch	English	Francais
2070		EOLM-400363	Gegenmutter Skindicht	Check nut, skin-tight	Contre-écrou Skindicht
2071		EOLM-460607	Kabelverschraubung Skintop	Cable fitting, skin-top	Vis de câble Skintop
2073		EOLM-300248	Scheibe-Stahl	Washer - steel	Disque d'acier
2074		EOLM-300048	Sicherungsschraube	Safety screw	Vis de blocage
2075		EOLM-403178	Frequenzumrichter	Frequency converter	Convertisseur de fréquence
		EOLM-403182	Frequenzumrichter Platine	Frequency converter plate	Convertisseur de fréquence Platine
2076		EOLM-601340	FU-Blende	FU surround	Ecran convertisseur de fré- quence
2077		EOLM-400453	Gegenmutter Skindicht	Check nut, skin-tight	Contre-écrou Skindicht
2078		EOLM-461632	Kabelverschraubung	Cable fitting	Vis de câble
2079		EOLM-400363	Gegenmutter Skindicht	Check nut, skin-tight	Contre-écrou Skindicht
2080		EOLM-461634	Kabelverschraubung	Cable fitting	Vis de câble
2081		EOLM-402348	Tülle Durchführung	Bushing tube	Passage de douille
2085		EOLM-300616	Zylinderschraube mit Inbus	Socket head screw with Inbus	Vis à tête cylindrique Alene
2086		EOLM-300248	Scheibe-Stahl	Washer - steel	Disque d'acier
2087		EOLM-402354	Netzfilter kpl.	Net filter, cplt.	Filtre réseau cpl.
2088		EOLM-300048	Sicherungsschraube	Locking screw	Vis de blocage
2089		EOLM-601393	Distanzstange	Spacer bar	Jambe de force
2095		EOLM-400235	Startbatterie	Starter battery	Batterie de démarrage
2096		EOLM-400269	Baterieklemme + Pol Rechts	Battery terminal + pole, right	Borne de batterie pôle + droite
2097		EOLM-400268	Baterieklemme + Pol Links	Battery terminal + pole, left	Borne de batterie pôle + gau- che
2100		EOLM-601350	Bateriehalter	Battery holder	Support de batterie
2102		EOLM-300048	Sicherungsschraube	Safety screw	Vis de blocage
2103		EOLM-300842	Sechskantmutter	Hexagon nut	Vis hexagonale
2104		EOLM-360039	Zylinderschraube mit Inbus	Socket head screw with Inbus	Vis à tête cylindrique Alene
2110		EOLM-201738	Handgriff PVC	PVC handle	Poignée PVC
2111		EOLM-601204	Gashebel	Throttle lever	Maniglia in PVC Leva del gas

HFS 1030RC	10981508	Fugenschneider	Floor cutter	Scie à sol	Macchina tagliapavimenti
Pos. Nr.	Bestellnr.	Art.-Nr.	Deutsch	English	Francais
			Deutsch	English	Francais
2112		EOLM-300847	Sechskantschraube	Hex. screw	Ecrou hexagonal
2113		EOLM-300166	Scheibe-Stahl	Washer - steel	Disque d'acier
2114		EOLM-300558	Tellerfeder	Cup spring	Rondelle-ressort
2115		EOLM-300559	Sicherungsmutter BIW V-Form	Lock nut BIW V-shape	Contre-écrou forme BIW V
2116		EOLM-300048	Sicherungsschraube	Safety screw	Vis de blocage
2117		EOLM-601198	Gashebelblech	Throttle lever panel	Tôle manette des gaz
2118		EOLM-601218	Gashebelhalterung	Throttle lever holder	Support de la manette des gaz
2119		EOLM-300124	Sechskantschraube	Hex. screw	Ecrou hexagonal
2120		EOLM-601351	Gelenkgabel	Articulated fork	Fourche articulée
2121		EOLM-300834	Sicherungsmutter BIW V-Form	Lock nut BIW V-shape	Contre-écrou forme BIW V
2123		EOLM-300132	Sicherungsschraube	Safety screw	Vis de blocage
2124		EOLM-280105	Stellschraube	Adjusting screw	Vis de réglage
2125		EOLM-300132	Sicherungsschraube	Safety screw	Vis de blocage
2126		EOLM-400013	Leitungsverbinder	Line connector	Raccord de conduite
2130		EOLM-461759	Kabelverschraubung	Cable fitting	Vis de câble
2131		EOLM-400442	Kabelverschraubung	Cable fitting	Vis de câble
2132		EOLM-400383	Reduzierung	Reducer	Réduction
2133		EOLM-400436	Reduzierung	Reducer	Réduction
2135		EOLM-403100	Klemme Anschluss Batterie	Battery terminal connection	Borne Raccord Batterie
2137		EOLM-300177	Scheibe-Stahl	Washer - steel	Disque d'acier
2138		EOLM-300202	Schnorrnsicherung	Securing device	Dispositif d'arrêt
2139		EOLM-300416	Sechskantmutter	Hexagon nut	Vis hexagonale
2140		EOLM-300947	Zylinderschraube mit Inbus	Socket head screw with Inbus	Vis à tête cylindrique Alene
2141		EOLM-300455	Schnorrnsicherung	Securing device	Dispositif d'arrêt
2142		EOLM-300254	Scheibe-Stahl	Washer - steel	Disque d'acier
2143		EOLM-300497	Zylinderschraube mit Inbus	Socket head screw with Inbus	Vis à tête cylindrique Alene
2144		EOLM-300279	Schnorrnsicherung	Securing device	Dispositif d'arrêt
2145		EOLM-300248	Scheibe-Stahl	Washer - steel	Disque d'acier
					Italiano
					Vite a testa esagonale
					Rondella in acciaio
					Molla a tazza
					Dado di sicurezza BIW a V
					Vite di sicurezza
					Lamiera leva del gas
					Supporto leva del gas
					Vite a testa esagonale
					Forcella articolata
					Dado di sicurezza BIW a V
					Vite di sicurezza
					Vite di regolazione
					Vite di sicurezza
					Connettore di linee
					Avvitamento cavi
					Avvitamento cavi
					Riduttore
					Riduttore
					Morsetto di collegamento batteria
					Rondella in acciaio
					Fusibile Schnorr
					Dado esagonale
					Vite a testa cilindrica con esagono cavo
					Fusibile Schnorr
					Rondella in acciaio
					Vite a testa cilindrica con esagono cavo
					Fusibile Schnorr
					Rondella in acciaio

HFS 1030RC	10981508	Fugenschneider	Floor cutter	Scie à sol	Macchina tagliapavimenti
Pos. Nr.	Bestellnr.	Art.-Nr.	English	Francais	Italiano
2148		EOLM-403101	Terminal connection cover	Borne Raccord Cache de protection	Morsetto di collegamento copertura
2149		EOLM-402390	Line, flexible, welding rubber 0,40 m	Conduite flexible soudage caoutchouc 0,40 m	Linea flessibile in gomma nera da 0,40 m
2151		EOLM-601396	Angle filter	Filtre coudé	Filtro ad angolo
2152		EOLM-300048	Hex. screw	Ecrou hexagonal	Vite a testa esagonale
2153		EOLM-300616	Inbus	Six pans creux	Esagono cavo
2154		EOLM-300290	Washer	Rondelle	Rondella
2156		EOLM-601398	Splash guard sheet	Tôle de protection contre projection	Lamiera paraspruzzi
2157		EOLM-300048	Hex. screw	Ecrou hexagonal	Vite a testa esagonale
2160		EOLM-601397	Angle	Equerre	Angolo
2161		EOLM-300048	Hex. screw	Ecrou hexagonal	Vite a testa esagonale
2162		EOLM-300290	Washer	Rondelle	Rondella
2163		EOLM-301311	Inbus	Six pans creux	Esagono cavo
2164		EOLM-360092	Oval-head screw	Vis à tête conique bombée	Vite a testa cilindrica
3001		EOLM-300044	Hexagon nut	Vis hexagonale	Dado esagonale
3002		EOLM-601020	Thrust washer	Meule de pression	Rondella di spinta
3003		EOLM-601601	Saw blade flange	Bride de lame de scie	Flangia per sega
3004		EOLM-300267	Set screw with slot and round end	Vis sans tête avec fente et bout sphérique	Vite senza testa con intaglio e calotta sferica
3005		EOLM-300624	Socket head screw with Inbus	Vis à tête cylindrique Alene	Vite a testa cilindrica con esagono cavo
3006		EOLM-200240	Floating ring seal	Garniture mécanique d'étanchéité	Tenuta ad anello scorrevole
3007		EOLM-200241	V-seal ring	Bague d'étanchéité joint en V	Anello di tenuta V-Seal
3011		EOLM-691569	Guard plate	Tôle de protection	Lamiera protettiva
3012		EOLM-300482	Countersunk screw with Inbus	Boulon Alene à tête conique	Vite a testa svasata con esagono cavo
3013		EOLM-400273	Cable bushing	Passe-câble	Isolatore passante per cavi
3014		EOLM-681057	Spray tab, cplt.	Bavette cpl.	Aletta d'iniezione compl.
3014.1		EOLM-601284	Rivet strip	Bande de rivetage	Strisce rivetabili
3014.2		EOLM-207653	Spritzlappen	Bavette de projection	Aletta d'iniezione

HFS 1030RC	10981508	Fugenschneider	Floor cutter	Scie à sol	Macchina tagliapavimenti
Pos. Nr.	Bestellnr.	Art.-Nr.	Deutsch	English	Francais
					Italiano
3014.3		EOLM-690354	Klemmblech kpl.	Clamping plate, cplt.	Lamiera di bloccaggio compl.
3014.5		EOLM-611714	Gewindeleiste	Thread strip	Barra filettata
3014.6		EOLM-300003	Ringschraube	Eyebolt	Vite ad anello
3014.7		EOLM-300005	Ringschraube	Eyebolt	Vite ad anello
3015		EOLM-601412	Lagerbolzen	Bearing pin	Perno di cuscinetto
3016		EOLM-280253	Kugellager	Ball bearing	Cuscinetto a sfere
3017		EOLM-601413	Distanz 2	Spacer 2	Distanziale 2
3018		EOLM-207439	Keilriemen	V-belt	Cinghia trapezoidale
3019		EOLM-601238	Keilriemenscheibe	V-belt sheave	Puleggia a gola trapezoidale
3020		EOLM-601021	Distanz 1	Spacer 1	Distanziale 1
3021		EOLM-690145	Sägearm	Saw arm	Braccio della sega
3023		EOLM-300082	Sechskantschraube	Hex. screw	Vite a testa esagonale
3024		EOLM-300412	Sechskantmutter	Hexagon nut	Dado esagonale
3026		EOLM-360200	Schnorrnsicherung	Securing device	Fusibile Schnorr
3027		EOLM-601148	Sechskantschraube	Hex. screw	Vite a testa esagonale
3028		EOLM-613115	Schlauchnippel	Hose nipple	Nipplo per tubo flessibile
3029		EOLM-300135	Ein-Ohr-Klemme	Single-ear clamp	Blocco monoaurale
3030		EOLM-200322	PVC-Schlauch 1,00 m	PVC hose 1.00 m	Tubo flessibile in PVC da 1,00 m
3031		EOLM-280131	Geka-Kupplung	Geka coupling	Attacco Geka
3032		EOLM-216095	Sieb für Wasserzufuhr	Strainer for water supply	Filtro per alimentazione acqua
3033		EOLM-360050	Senkschraube mit Inbus	Countersunk screw with Inbus	Vite a testa svasata con esagono cavo
3034		EOLM-601048	Halter Peilstab	Holder guide bar	Supporto asta di rilevamento
3035		EOLM-360196	Senkschraube mit Inbus	Countersunk screw with Inbus	Vite a testa svasata con esagono cavo
3036		EOLM-300166	Scheibe-Stahl	Washer - steel	Rondella in acciaio
3037		EOLM-300597	Sechskantmutter	Hexagon nut	Dado esagonale
3038		EOLM-680123	Peilstab kpl.	Guide bar, cplt.	Asta di rilevamento compl.
3038.1		EOLM-680455	Peilstab-Innen kpl.	Guide bar-inner, cplt.	Asta di rilev. int. compl.
3038.2		EOLM-690173	Aufnahmerohr	Receptacle pipe	Tubo di supporto
3038.3		EOLM-300003	Ringschraube	Eyebolt	Vite ad anello
3038.3		EOLM-691359	Peilstabaufnahmerohr	Guide bar receptacle pipe	Tubo di supporto asta di rilev.

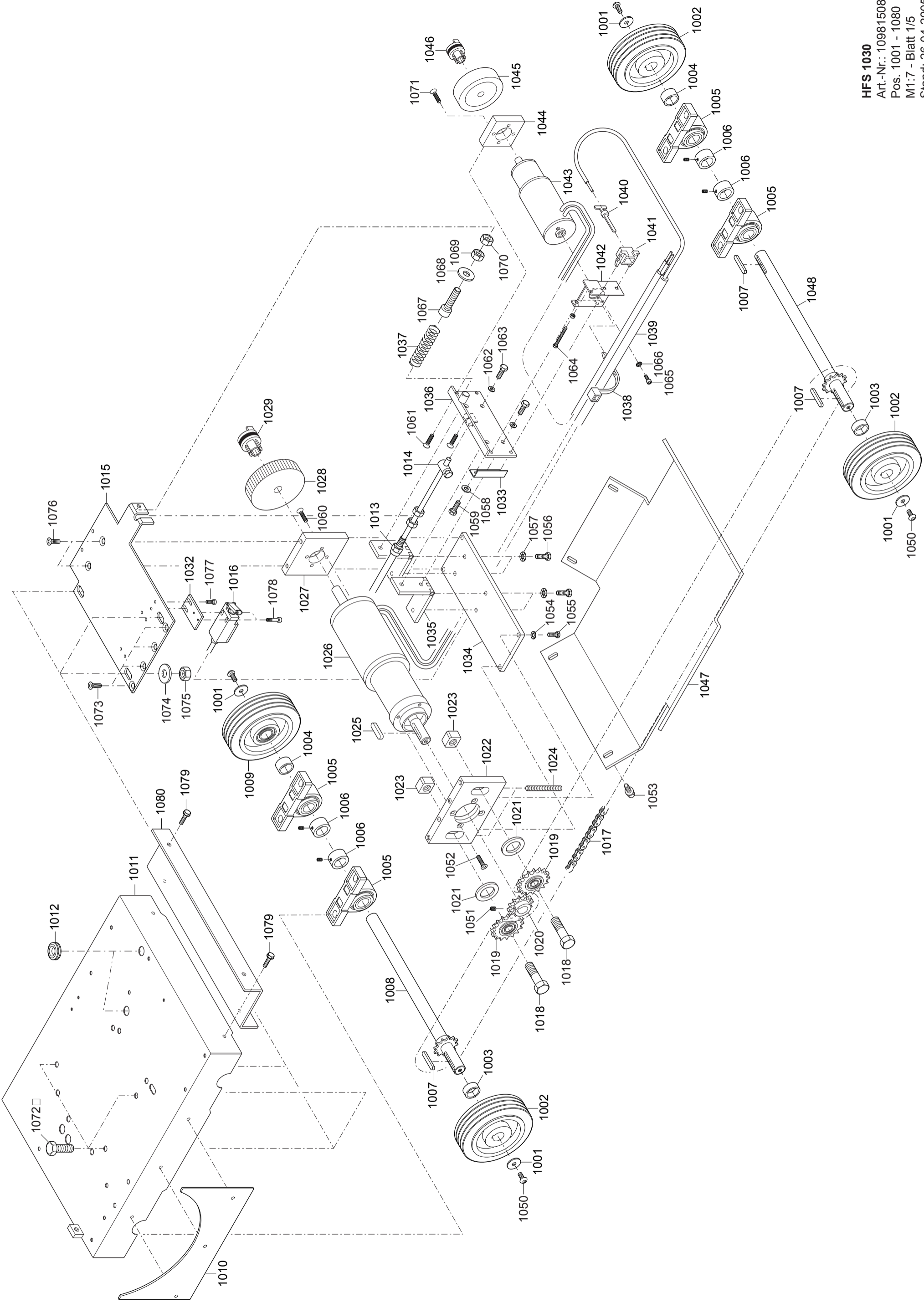
HFS 1030RC	10981508	Fugenschneider	Floor cutter	Scie à sol	Macchina tagliapavimenti	
Pos. Nr.	Bestellnr.	Art.-Nr.	Deutsch	English	Francais	
					Italiano	
3038.4		EOLM-300302	Scheibe-Stahl	Washer - steel	Disque d'acier	Rondella in acciaio
3038.5		EOLM-280004	Rad-Vollgummi Kunststoffrolle	Wheel, solid rubber, plastic rim	Roue caoutchouc plein, jante plastique	Ruota in gomma piena con cerchio in plastica
3038.6		EOLM-613169	Buchse für Peilstab	Bushing for guide bar	Douille pour pige	Boccola per asta di rilievo.
3038.7		EOLM-615019	Scheibe für Peilstab	Washer for guide bar	Rondelle pour pige	Rondella per asta di rilievo.
3038.8		EOLM-300048	Sicherungsschraube	Safety screw	Vis de blocage	Vite di sicurezza
3038.9		EOLM-300303	Sicherungsring	Locking ring	Bague d'étanchéité	Anello di fermo
3038.10		EOLM-615177	Achse	Axle	Axe	Asse
3045		EOLM-300661	Senkschraube	Countersunk screw	Boulon à tête conique	Vite a testa svasata
3046		EOLM-601373	Lagerflansch	Bearing flange	Bride de roulement	Flangia del cuscinetto
3047		EOLM-300573	Senkschraube	Countersunk screw	Boulon à tête conique	Vite a testa svasata
3048		EOLM-300294	Senkschraube	Countersunk screw	Boulon à tête conique	Vite a testa svasata
3049		EOLM-601370	Getriebeflansch	Gear unit flange	Bride de l'entraînement	Flangia riduttore
3050		EOLM-400238	E-Motor 24V	E-motor 24V	Moteur E 24V t	Motore elettrico da 24V
3052		EOLM-690416	Motorhalter	Motor support	Support de moteur	Supporto del motore
3053		EOLM-300291	Scheibe	Washer	Rondelle	Rondella
3054		EOLM-300124	Sechskantschraube	Hex. screw	Ecrou hexagonal	Vite a testa esagonale
3055		EOLM-690415	Kupplungsglocke	Coupling housing	Cloche de couplage	Campana di accoppiamento
3056		EOLM-601374	Bundbuchse	Collar bushing	Douille à collet	Bussola flangiata
3057		EOLM-601376	Sechskantmutter	Hexagon nut	Vis hexagonale	Dado esagonale
3058		EOLM-205711	Reibbelag	Friction liner	Revêtement de friction	Guarnizione di attrito
3059		EOLM-601372	VA-Ring-2	VA ring 2	Bague VA 2	Anello VA 2
3060		EOLM-300995	Sechskantschraube	Hex. screw	Ecrou hexagonal	Vite a testa esagonale
3061		EOLM-300202	Schnorrnsicherung	Securing device	Dispositif d'arrêt	Fusibile Schnorr
3062		EOLM-300177	Scheibe-Stahl	Washer - steel	Disque d'acier	Rondella in acciaio
3063		EOLM-690140	Kettenradhalter	Sprocket holder	Support de roue à chaîne	Supporto rocchetto per catena
3064		EOLM-300295	Senkschraube mit Inbus	Countersunk screw with Inbus	Boulon Alene à tête conique	Vite a testa svasata con esagono cavo
3065		EOLM-300177	Scheibe-Stahl	Washer - steel	Disque d'acier	Rondella in acciaio
3066		EOLM-300335	Passscheibe-Stahl	Shim ring - steel	Rondelle d'ajustage en acier	Rasamento in acciaio
3067		EOLM-601069	Kettenscheibe	Chain plate	Barbotin	Disco della catena
3068		EOLM-280026	Kugellager	Ball bearing	Roulement à billes	Cuscinetto a sfere

HFS 1030RC	10981508	Fugenschneider	Floor cutter	Scie à sol	Macchina tagliapavimenti	
Pos. Nr.	Bestellnr.	Art.-Nr.	Deutsch	English	Francais	Italiano
3070		EOLM-360016	Zylinderschraube	Socket head screw	Vis cylindrique	Vite a testa cilindrica
3071		EOLM-300574	Schnorrnsicherung	Securing device	Dispositif d'arrêt	Fusibile Schnorr
3072		EOLM-300984	Scheibe-Stahl	Washer - steel	Disque d'acier	Rondella in acciaio
3076		EOLM-601239	Keilriemenscheibe	V-belt sheave	Poulie à courroie trapézoïdale	Puleggia a gola trapezoidale
3077		EOLM-300039	Gewindestift	Grub screw	Vis sans tête	Spina filettata
3078		EOLM-601039	Stahlmutter	Steel nut	Ecrou en acier	Dado in acciaio
3079		EOLM-360012	Zylinderschraube mit Inbus	Socket head screw with Inbus	Vis à tête cylindrique Alene	Vite a testa cilindrica con esagono cavo
3080		EOLM-200243	Kugellager	Ball bearing	Roulement à billes	Cuscinetto a sfere
3081		EOLM-601054	Distanz	Spacer	Ecartement	Distanziale
3082		EOLM-601228	Aufnahme Sägearm	Holding fixture, saw arm	Logement Bras de scie	Supporto braccio della sega
3083		EOLM-601040	Kettenhalter	Chain holder	Support de chaîne	Supporto della catena
3084		EOLM-300297	Senkschraube mit Inbus	Countersunk screw with Inbus	Boulon Alene à tête conique	Vite a testa svasata con esagono cavo
3085		EOLM-300606	Schmiernippel	Lube nipple	Raccord fileté de graissage	Vite di lubrificazione
3086		EOLM-200378	Rollenkette	Roller chain	Chaîne à rouleaux	Catena a rulli
3087		EOLM-200867	Kettensteckglied mit Feder	Chain link with spring	Maille de chaîne avec ressort	Ponte della catena con molla
3088		EOLM-601026	Motorflansch	Motor flange	Bride moteur	Flangia per motore
3089		EOLM-300377	Zylinderschraube mit Inbus	Socket head screw with Inbus	Vis à tête cylindrique Alene	Vite a testa cilindrica con esagono cavo
3090		EOLM-690575	Schwenscheibe	Captive C-washer	Disque de verrouillage	Disco orientabile
3091		EOLM-690801	Skalenbefestigung	Scale fastener	Fixation graduée	Fissaggio scala
3092		EOLM-200552	Klebschild Tiefenanzeige	Adhesive plate, depth indicator	Etiquette adhésive Affichage profondur	Targhetta adesiva indicatore di profondità
3093		EOLM-601151	Distanz	Spacer	Ecartement	Distanziale
3094		EOLM-360044	Senkschraube	Countersunk screw	Boulon à tête conique	Vite a testa svasata
3095		EOLM-601371	VA-Ring-1	VA ring 1	Bague VA 1	Anello VA 1
3096		EOLM-601377	Zylinderbuchse	Cylindrical bushing	Douille cylindrique	Camicia del cilindro
3097		EOLM-601375	Scheibe	Washer	Rondelle	Rondella
3098		EOLM-301194	Tellerfeder	Cup spring	Rondelle-ressort	Molla a tazza
3099		EOLM-601379	Sonderschraube	Special screw	Vis spéciale	Vite speciale
4001.1		EOLM-691610	Sägehaube A. kpl.	Saw hood outer, cplt.	Capot de scie A. cpl.	Carter sega A. compl.
4001.2		EOLM-691611	Haube innen	Hood, interior	Capot intérieur	Carter interno

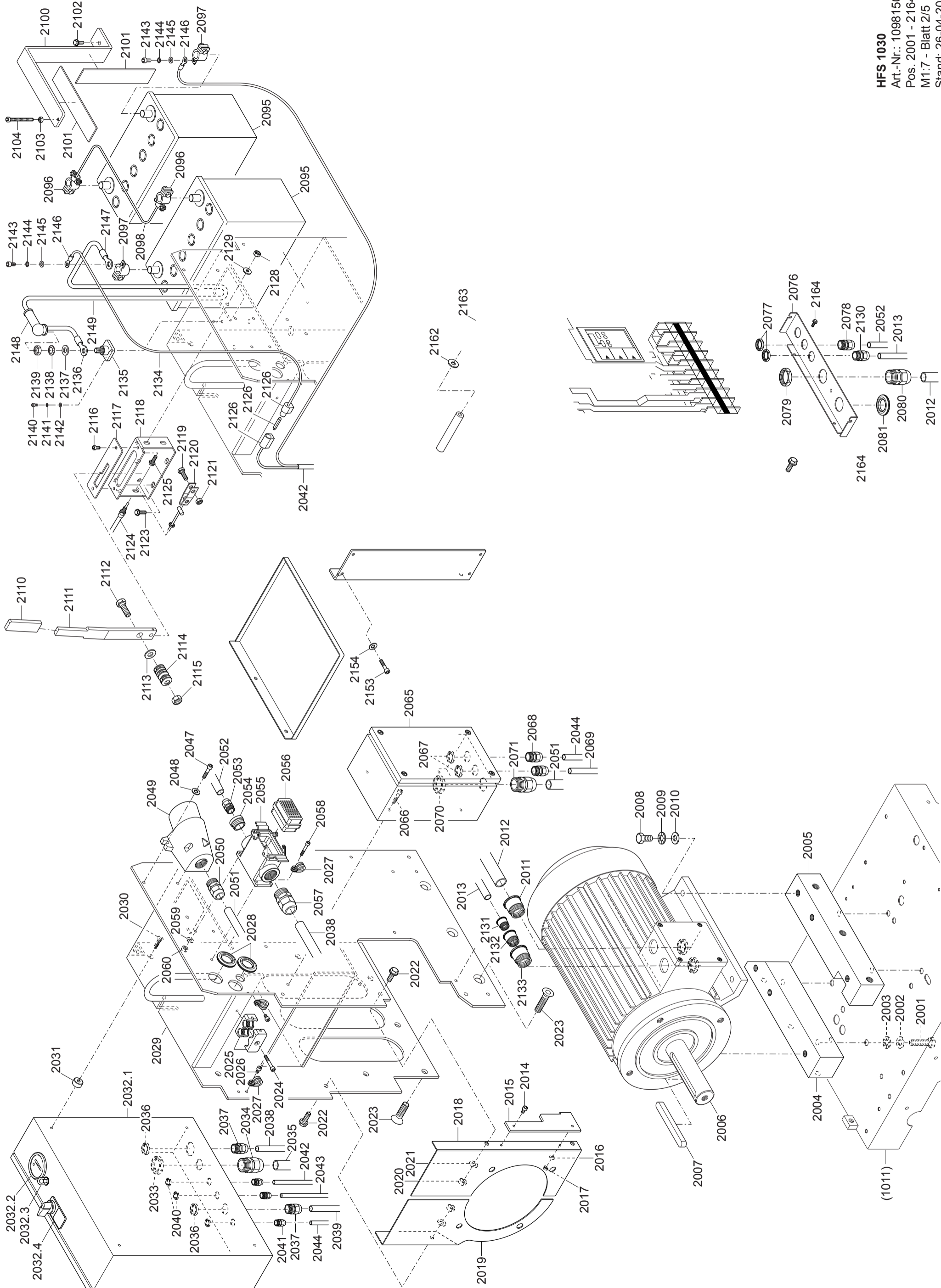
HFS 1030RC	10981508		Fugenschneider	Floor cutter	Scie à sol	Macchina tagliapavimenti
Pos. Nr.	Bestellnr.	Art.-Nr.	Deutsch	English	Francais	Italiano
4002		EOLM-681055	Klapphaube kpl.	Hinged hood cpl	Capot rabattabile cpl.	Carter ribaltabile compl.
4003		EOLM-207208	Spritzschutz	Splash guard	Protection contre les projections	Paraspruzzi
		EOLM-618330	Spritzschutzblech	Splash guard sheet	Tôle de protection contre projection	Lamiera paraspruzzi
4005		EOLM-618325	Abdeckblech	Cover plate	Tôle de protection	Lamiera di copertura
4007		EOLM-611717	Distanz 01	Spacer 01	Ecartement 01	Distanziale 01
4008		EOLM-601194	Sägehaubestange	Saw hood rod	Tige capot de scie	Asta carter sega
4009		EOLM-601196	Distanz 02	Spacer 02	Ecartement 02	Distanziale 02
4010		EOLM-601197	Arretierplatte	Stop plate	Plaque d'arrêt	Piastra di arresto
4011		EOLM-300721	Flügelschraube	Wing screw	Vis à oreilles	Vite ad alette
4012		EOLM-601094	Blech 2	Plate 2	Tôle 2	Lamiera 2
4013		EOLM-601093	Blech 1	Plate 1	Tôle 1	Lamiera 1
4014		EOLM-200396	Dichtprofil 1,03 m	Sealing profile 1.03 m	Profilé d'étanchéité 1,03 m	Profilo di tenuta da 1,03 m
4015		EOLM-691357	Verkleidung	Sheathing	Revêtement	Rivestimento
4016		EOLM-690150	Feststellschraube	Locking bolt	Vis de blocage	Vite di arresto
4017		EOLM-200310	Gleitstopfen für Quadratrohre	Sliding plug for square pipe	Tampon coulissant pour tubes carrés	Tappo scorrevole per tubi quadrati
4018		EOLM-691402	Griff	Handle	Poignée	Manopola
4021		EOLM-690491	Türe	Doors	Portes	Sportello
4022		EOLM-201674	Handschloß-Vorreiber mit Fallenzunge	Turnbuckle sash lock with falling tongue	Tourniquet de serrure avec clapet	Fermo della serratura manuale con linguetta d'incastro
4023		EOLM-601134	Gewindeplatte	Threaded plate	Plaque fileté	Piastra filettata
4024		EOLM-200248	Scharnier (ohne Stift)	Hinge (without pin)	Charnière (sans tige)	Cerniera (senza spina)
4025		EOLM-201123	Typenschild Blanco	Rating plate, blank	Plaque de signalisation vide	Targhetta di omologazione Blanco
4026		EOLM-611715	Haubenblech			
4027		EOLM-200237	Bügelgriff Kunststoff Schwarz	Bow grip, plastic, black	Poignée en forme d'étrier plastique noire	Manopola ad asta in plastica nera
4029		EOLM-402131	Tüllengehäuse 10 Pol	Bushing housing, 10 pole	Boîtier 10 pôles	Alloggiamento isolatori a 10 poli
4030		EOLM-460401	Reduzierung Messing	Reducer, brass	Réduction laiton	Riduttore in ottone
4030		EOLM-460401	Reduzierung Messing	Reducer, brass	Réduction laiton	Riduttore in ottone

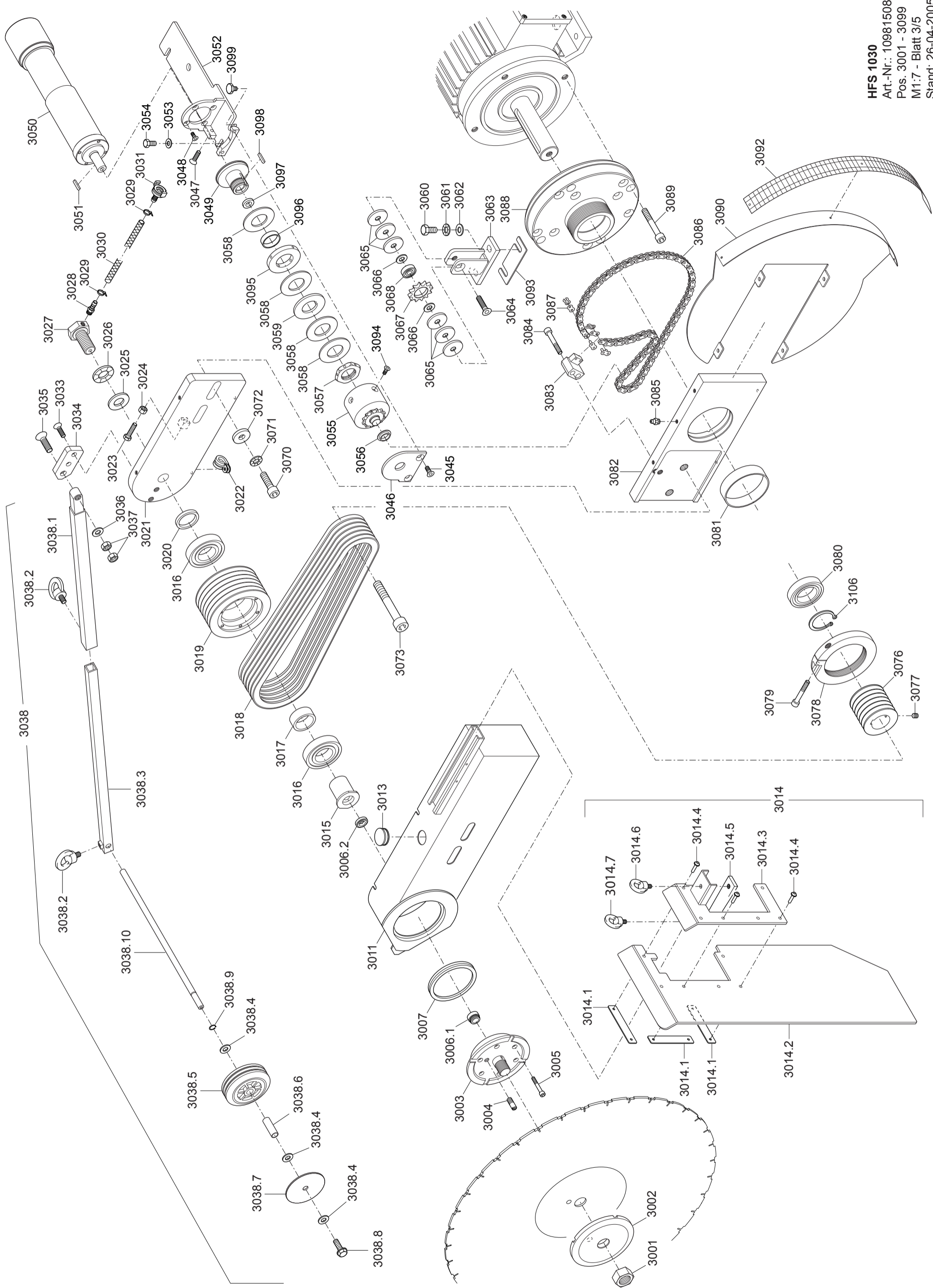
HFS 1030RC	10981508	Fugenschneider		Floor cutter		Scie à sol		Macchina tagliapavimenti	
Pos. Nr.	Bestellnr.	Art.-Nr.	Deutsch	English	Francais	Italiano			
4031		EOLM-400326	Schutzschlauchverschraubung	Protective hose fitting	Raccord à vis tuyau protection	Avvitamento tubo flessibile protettivo			
4032		EOLM-300079	Ein-Ohr-Klemme	Single-ear clamp	Pince à une oreille	Blocco monoaurale			
4033		EOLM-400275	Schutzschlauch Kabel	Protective hose cable	Tuyau protection Câble	Cavo tubo flessibile protettivo			
4034		EOLM-300103	Nutmutter GUK	Slotted nut, GUK	Ecrou à gorges GUK	Dado con intagli GUK			
4035		EOLM-201963	Kunststoff-Scheibe	Plastic disc	Rondelle en plastique	Disco in plastica			
4036		EOLM-680431	Spritzlappen kpl.	Spray tab, cplt.	Bavette cpl.	Aletta d'iniezione compl.			
4039		EOLM-300240	Sicherungsmutter	Lock nut	Contre-écrou	Dado autobloccante			
4042		EOLM-601053	Zeiger Tiefenanzeige	Depth indicator pointer	Indicateur Affichage profondeur	Indicatore di profondità			
4043		EOLM-300177	Scheibe-Stahl	Washer - steel	Disque d'acier	Rondella in acciaio			
4044		EOLM-300496	Sechskantschraube	Hex. screw	Ecrou hexagonal	Vite a testa esagonale			
4045		EOLM-611716	Blechlende	Metal surround	Ecran en tôle	Pannello in lamiera			
4046		EOLM-204877	Dichtungsprofil Nr. A1 102	Sealing section no. A1 102	Profilé d'étanchéité N° A1 102	Profilo di tenuta n. A1 102			
4048		EOLM-300310	Zylinderschraube m. Inbus	Socket head screw w. Inbus	Vis à tête cylindrique Alene	Vite a testa cilindrica con esagono cavo			
4049		EOLM-280104	Geka-Kupplung	Geka coupling	Raccord Geka	Attacco Geka			
4050		EOLM-690482	Wasserhahnhalter	Water valve holder	Support de robinet	Supporto rubinetto dell'acqua			
4051		EOLM-300721	Flügelschraube	Wing screw	Vis à oreilles	Vite ad alette			
4052		EOLM-280263	Kugelhahn mini	Ball valve mini	Robinet à boisseau sphérique, mini	Mini rubinetto a sfera			
4053		EOLM-201286	Klebeschild	Adhesive plate	Etiquette adhésive	Targhetta adesiva			
4054		EOLM-205621	Klebeschild	Adhesive plate	Etiquette adhésive	Targhetta adesiva			
4055		EOLM-201402	Klebeschild	Adhesive plate	Etiquette adhésive	Targhetta adesiva			
4056		EOLM-200400	Klebeschild	Adhesive plate	Etiquette adhésive	Targhetta adesiva			
4060		EOLM-207669	Halteblech	Retaining plate	Tôle de maintien	Lamiera di arresto			
4061		EOLM-618321	Abdeckung links	Cover, left	Cache gauche	Copertura sx			
4062		EOLM-618320	Abdeckung rechts	Cover, right	Cache droite	Copertura dx			
4063		EOLM-611779	Klammer	Clamp	Crampon	Punto metallico			
4064		EOLM-611778	Klammerbefestigung	Clamp fixing	Fixation de crampon	Fissare punto metallico			

HFS 1030RC	10981508		Fugenschneider	Floor cutter	Scie à sol	Macchina tagliapavimenti
Pos. Nr.	Bestellnr.	Art.-Nr.	Deutsch	English	Francais	Italiano
4065		EOLM-611781	Gehäusetülle	Case socket	Douille de boîte	Scatola
5000		EOLM-403742	Bedienpult	Operating panel	Tableau de commande	Quadro di comando
5001		EOLM-611782	Sendergehäuse	Transmitter cover	Boîte du poste de transmission	Scatola de trasmettente
5002		EOLM-611743	Bedienpultblech	Sheet operating panel	Tôle tableau de commande	Lamiera quadro di comando
5003		EOLM-208437	Klebschild Bedienpult	Adhesive plate	Etiquette adhésive	Targhetta adesiva
5005		EOLM-	Schlüsselschalter	Key switch	Bouton à clé	Interruttore
5007		EOLM-400668	Potentiometer o. Skala	Potentiometer w/o scale	Potentiomètre sans graduation	Potenziometro senza scala
5008		EOLM-	Taster Pilz Not-Aus	Mushroom button, emergency stop	Bouton poussoir Arrêt d'urgence	Tasto a fungo di arresto d'emergenza
5009		EOLM-	Taster Druck	Sensor, pressure	Bouton Pression	Tasto a pressione
5010		EOLM-	Kippschalter	Rocker handle switch	Interrupteur basculant	Interruttore
5025		EOLM-202036	Kunststoff-Zuschnitt	Plastic plate	Découpe plastique	Sezione in plastica
5035		EOLM-205383	Dichtung Bedienpult	Seal, control panel	Joint Tableau de commande	Guarnizione quadro di comando

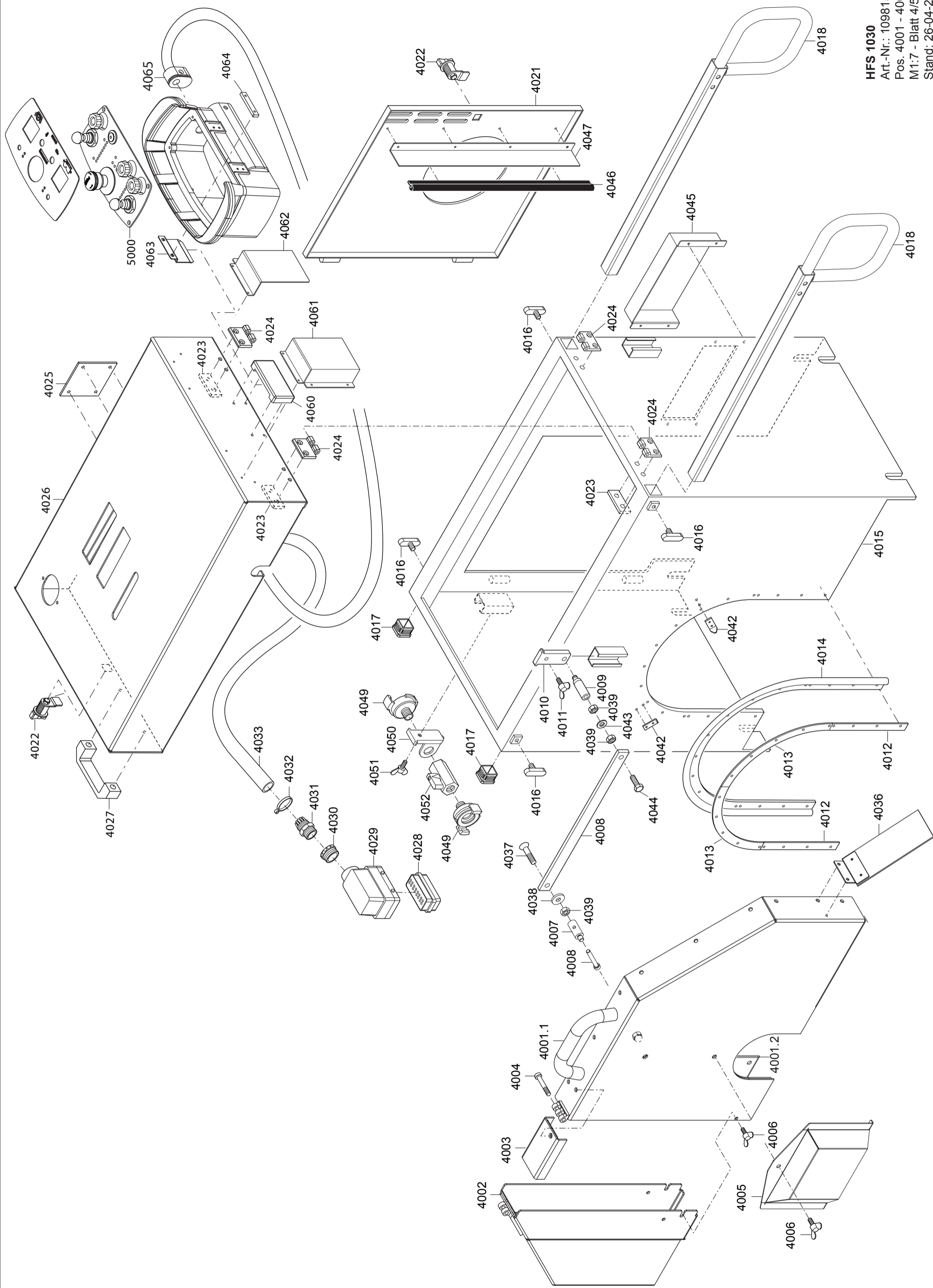


HFS 1030
Art.-Nr.: 10981508
Pos. 1001 - 1080
M1:7 - Blatt 1/5
Stand: 26-04-2005

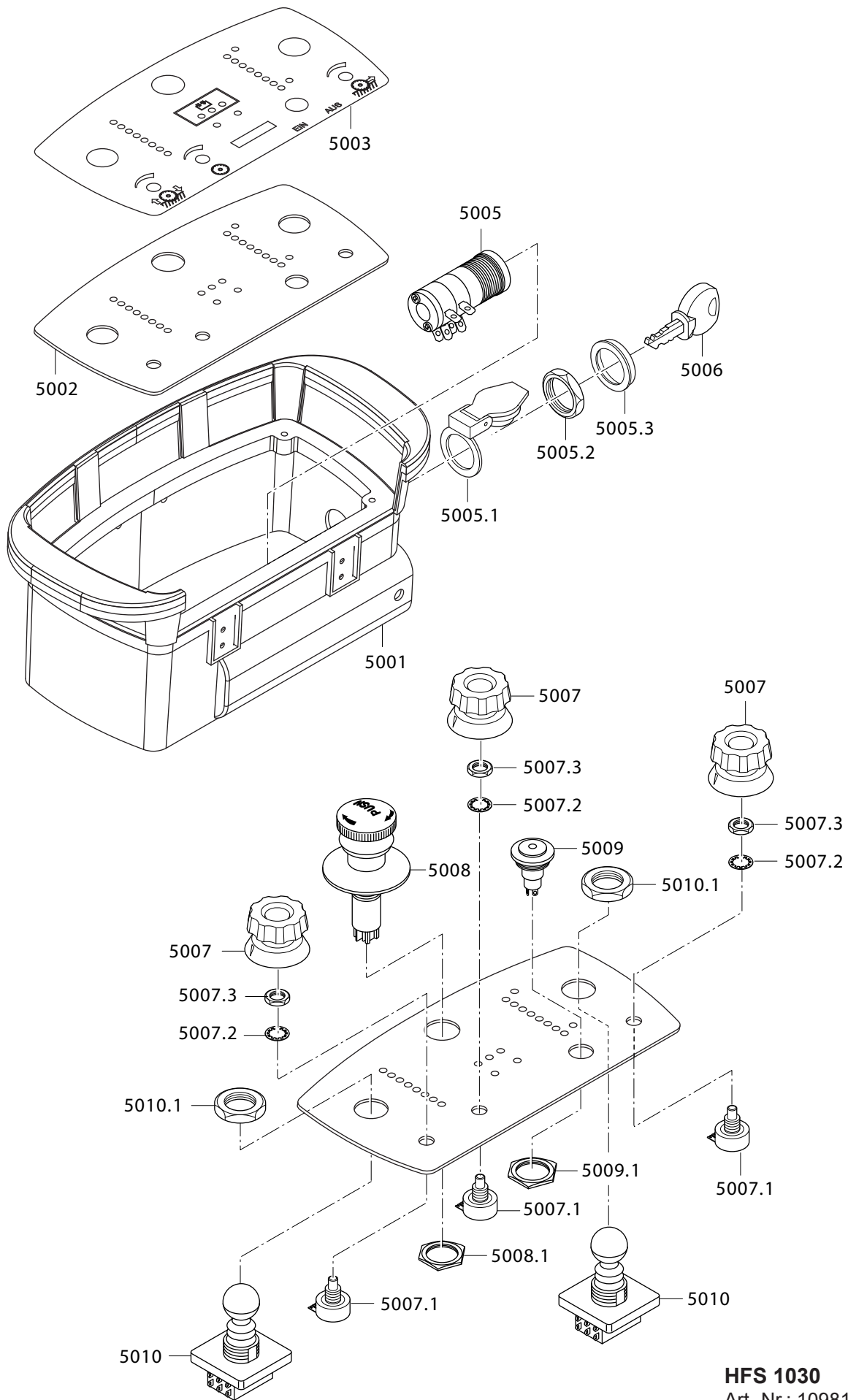




HFS 1030
Art.-Nr.: 10981508
Pos. 3001 - 3099
M1:7 - Blatt 3/5
Stand: 26-04-2005



HFS 1030
Art.-Nr.: 10981508
Pos. 4001 - 4065
M1:7 - Blatt 4/5
Stand: 26-04-2005



HFS 1030
 Art.-Nr.: 10981508
 Baugruppe **Bedienpult**
 Pos. 5001 - 5010
 M1:3,75 - Blatt 5/5
 Stand: 19.04.2005